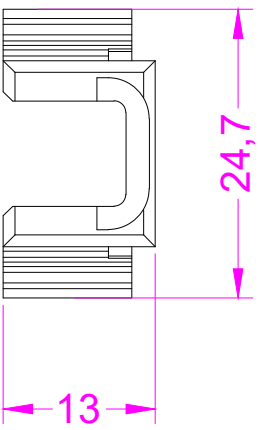
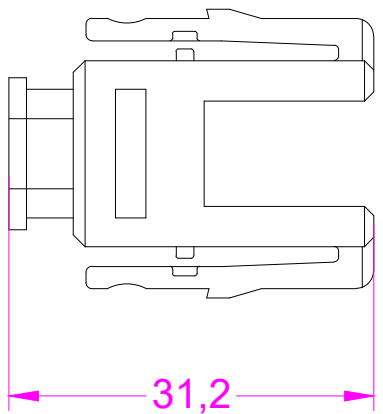
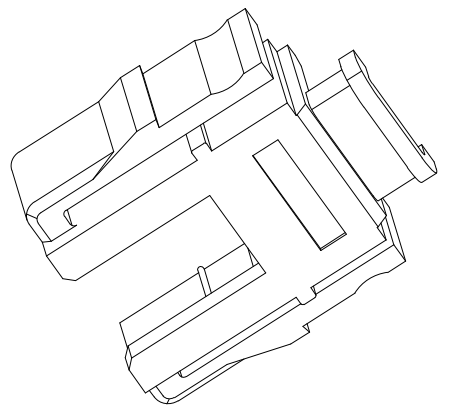



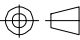
REVISION DATA				
SYM	ECN	DESCRIPTION	DATE	APPROVED



技术参数:  
 插芯:  
 插针数: 8  
 额定电流: 1A  
 额定电压: 50V  
 额定脉冲电压: 0.8KV  
 污染等级: 3  
 依据UL的额定电压: <30V  
 传输特性: 超6类可达500MHZ  
                   依据IOS/IEC 24 702;  
                   IOS/IEC 11 801  
 传输速度: 10/100/1000Mbit/s  
 绝缘特性:  $\geq 10^{10} \Omega$   
 材料: 聚碳酸酯  
 颜色: RAL 7032(浅灰色)  
 温度范围: -40°C - +125°C  
 依据UL 94的阻燃等级: V0  
 可插拔次数:  $\geq 500$

Technical specification:  
 inserts:  
 No. of contact:8  
 Rated current: 1A  
 Rated voltage: 50V  
 Rated impulse voltage:0.8KV  
 Pollution degree:3  
 Rated voltage acc. to UL:<30V  
 Transrnission features:category 6/Class E  
   up to 500 MHz; acc.  
   to IOS/IEC 24 702;  
   IOS/IEC 11 801  
 Transmissiong rate:10/100/1000Mbit/s  
 Insulation resistance: $\geq 10^{10} \Omega$   
 Material:polycarbonate  
 Colour:RAL 7032(light grey)  
 Temperature range:-40°C - +125°C  
 Fammability acc.to UL 94:V0  
 Mating cycles: $\geq 500$



Tolerance		SIGNATURE	DATE	Units	mm	 宁波欧科瑞连接器有限公司 NINGBO OUKERUI CONNECTOR CO.,LTD.	
0~≤20 ±0.15	DRAW			Size	A4		
20~≤50 ±0.25	DESIGN			Scale		PART NAME: HZW-RJ45-APT-1	
50~≤80 ±0.35	CHECK			Sheet		Drawing NO.	REV
80~≤120 ±0.50	APPROVE			Proj.		Material	A