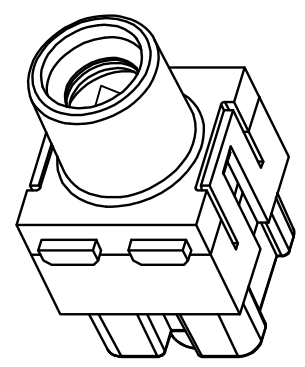
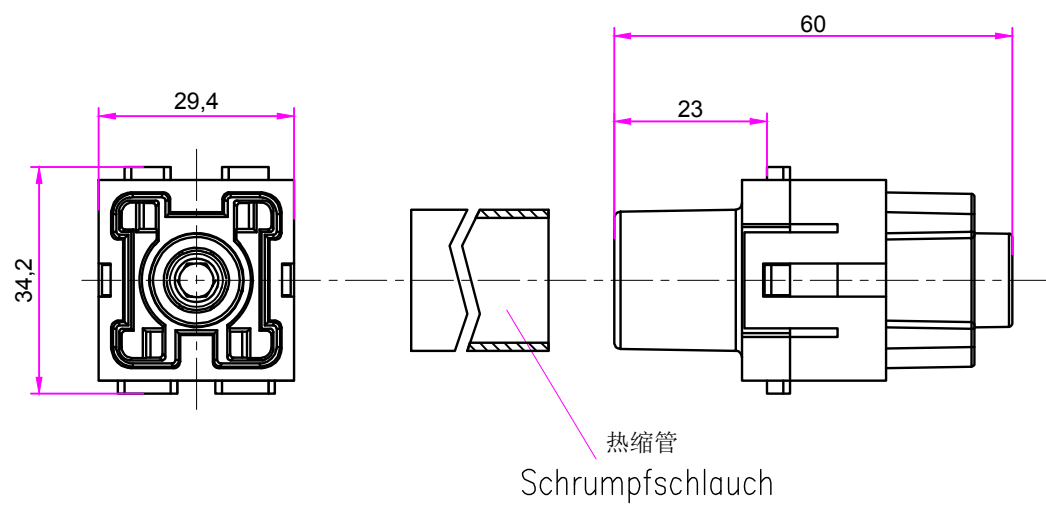

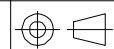


| 6 | | 7 | 8 | |
|---------------|-----|-------------|------|----------|
| REVISION DATA | | | | |
| SYM | ECN | DESCRIPTION | DATE | APPROVED |
| | | | | |
| | | | | |



技术参数:
 插芯:
 插针数: 1
 额定电流: 200A
 工作电压: 1000V
 额定耐受脉冲电压: 8kV
 污染等级: 3
 依据UL的额定电压: 600V
 绝缘阻抗: $\geq 10^{10}\Omega$
 材料: 聚碳酸酯
 颜色: RAL 7032(浅灰色)
 温度范围: $-40^{\circ}\text{C} - +125^{\circ}\text{C}$
 依据UL94的阻燃等级: V0
 可插拔次数: ≥ 500
 插针:
 接线方式: 轴向螺栓连接
 材料: 铜合金
 表面处理: 镀银
 接触电阻: $\leq 0.2\text{m}\Omega$
 线径范围: 40~70mm²
 内六角扳手: SW-5*150
 剥线长度: 16mm
 拧紧力矩:
 . mm²: 25 35 50 70
 . N.m: 8 8 9 10

Technical specification:
 Inserts:
 - No. of contact: 1
 - Rated current: 200A
 - Rated voltage: 1000V
 - Rated impulse voltage: 8kV
 - Pollution degree: 3
 - Rated voltage acc.to UL: 600V
 - Insulation resistance: $10^{10}\Omega$
 - Material: polycarbonate
 - Colour: RAL 7032(light grey)
 - Temperature range: $-40 - +125$
 - Flammability acc.to UL 94: V0
 - Mating cycles: 500
 Contacts:
 - Terminal: axial screw terminal
 - Material: copper alloy
 - Surface: hard-silver plated
 - Contact resistance: $0.2\text{m}\Omega$
 - Wire gauge: 40-70 mm²
 - Hexagonal driver: SW-5*150
 - Stripping length: 16mm
 - Tightening torque:
 . mm²: 25 35 50 70
 . N.m: 8 8 9 10

| Tolerance | | SIGNATURE | DATE | Units | mm |  宁波欧科瑞连接器有限公司 NINGBO OUKERUI CONNECTOR CO., LTD. | | |
|---------------|---------|-----------|------|-------|---|--|--|-----|
| 0~≤20 ±0.15 | DRAW | | | Size | A4 | PART NAME: HZW-H2MK-001.2-F | | |
| 20~≤50 ±0.25 | DESIGN | | | Scale | | Drawing NO. | | REV |
| 50~≤80 ±0.35 | CHECK | | | Sheet | | Material | | A |
| 80~≤120 ±0.50 | APPROVE | | | Proj. |  | | | |