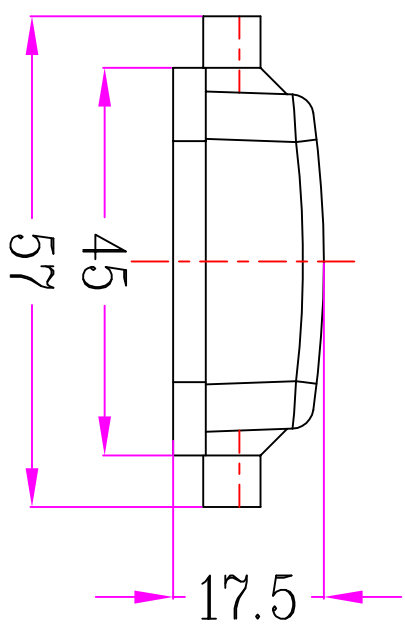
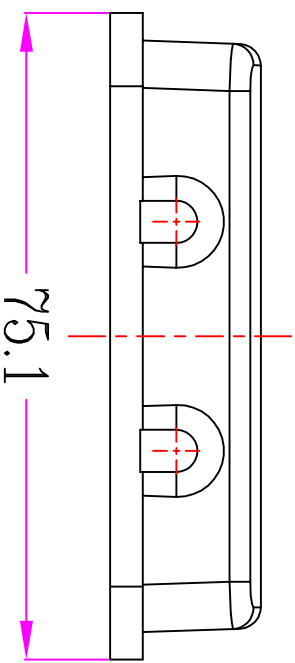



REVISION DATA				
STM	ECN	DESCRIPTION	DATE	APPROVED



	SIGNATURE	DATE	Units	mm	 <b>宁波欧科瑞连接器有限公司</b> NINGBO OKKERUI CONNECTOR CO., LTD.	TYPE NAME	HZW-H10B-CV-4g		
DRAW			Size	A4		Part number	81 302 010 222	REV	AO
DESIGN	杨海辉	23.09.12	Scale			File path	OKR. 10B. H10BV		
CHECK			Sheet	1/1					
APPROVE			Pro.j.	