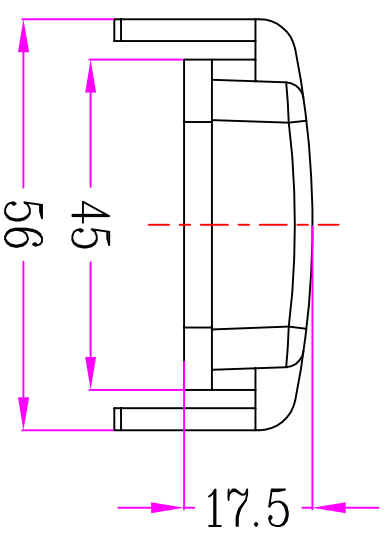
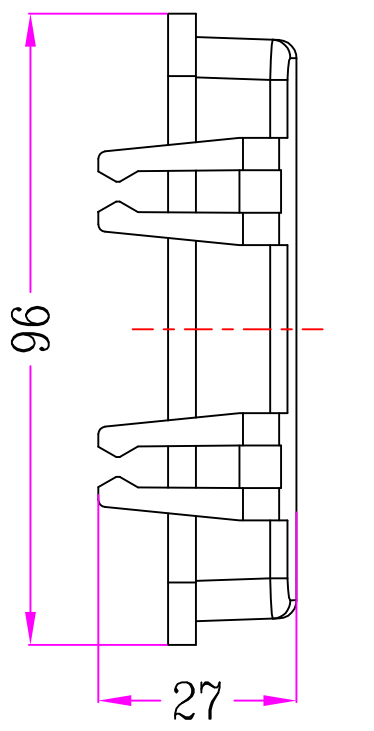





REVISION DATA				
STM	ECN	DESCRIPTION	DATE	APPROVED



	SIGNATURE	DATE	Units	mm	 宁波欧科瑞连接器有限公司 NINGBO OKERUI CONNECTOR CO., LTD.			
DRAW			Size	A4				
DESIGN	杨海辉	11.08.13	Scale					
CHECK			Sheet	1/1				
APPROVE			Proj.	 	File path	OKR. 16B, H16BV	REV	AO