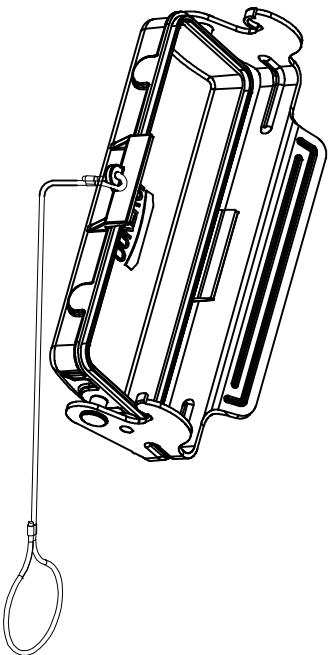
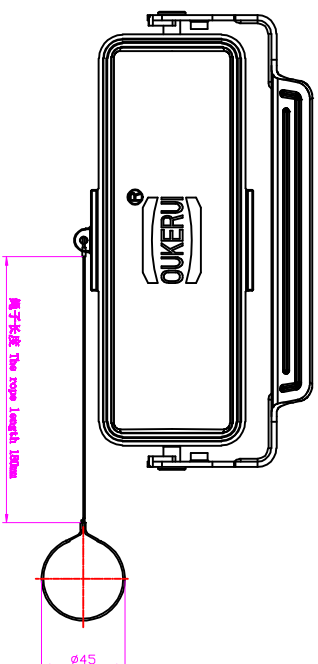
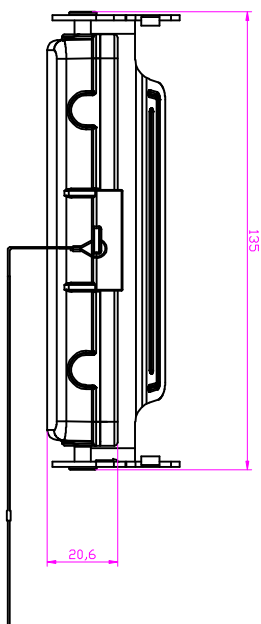



REVISION DATA		7	8
SYM	ECN	DESCRIPTION	DATE
			APPROVED



技术参数:
 材料: 压铸铝
 表面处理: 粉末喷涂
 颜色: RAL7037灰色
 温度范围: -40℃~+125℃
 防护等级: IP65 (锁锁状态)
 联接元件
 锁扣方式: 金属单扣
 材料: 不锈钢
 密封元件: NBR

Specifications:
 Material: aluminum die-cast
 Surface: powder-coated
 Color: Grey (RAL 7037)
 Limiting temperatures: -40℃~+125℃
 Degree of protection: IP65
 Locking element:
 Locking type: single locking latch
 material: stainless steel
 Hoods/Housings sealing: NBR

Tolerance	SIGNATURE	DATE	Units	 宁波欧科瑞连接器有限公司 NINGBO OUKERU CONNECTOR CO., LTD.
0~≤20 ±0.15	DRAW		mm	
20~≤50 ±0.25	DESIGN		Size	A4
50~≤80 ±0.35	CHECK		Scale	
80~≤120 ±0.50	APPROVE		Sheet	
			Proj.	
				Drawing NO.
				Material
PART NAME: HZW-H24B-MCV-1PL				
				REV
				A