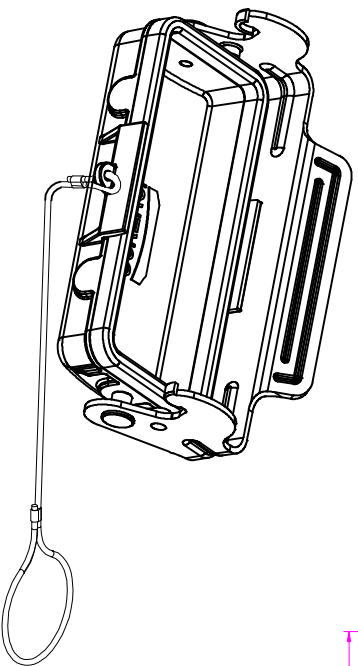
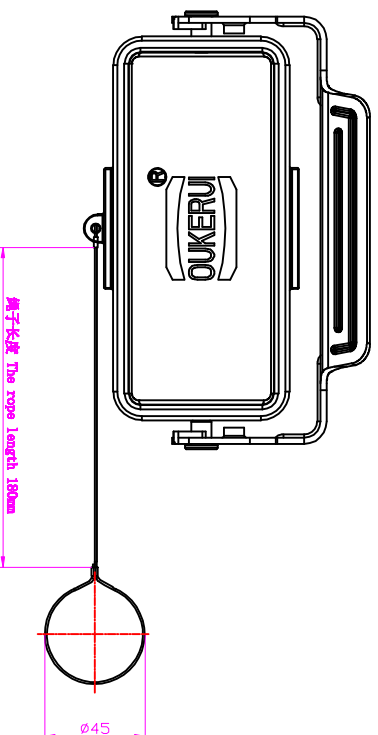
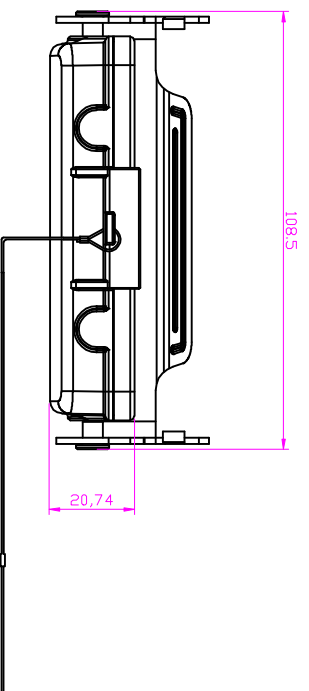



REVISION DATA		DATE	APPROVED
SYM	ECN	DESCRIPTION	



Tolerance		SIGNATURE	DATE	Units	mm	 宁波欧科瑞连接器有限公司 NINGBO OUKERU CONNECTOR CO., LTD.
0~≤20 ±0.15	DRAW			Size	A4	
20~≤50 ±0.25	DESIGN			Scale		
50~≤80 ±0.35	CHECK			Sheet		
80~≤120 ±0.50	APPROVE			Proj.		
						Drawing NO.
						Material
						REV
						A

Specifications:
Material: aluminum die-cast
Surface: powder-coated
Color: Grey (RAL 7037)
Limiting temperatures: -40℃~+125℃
Degree of protection : IP65
Locking element :
 Locking type: single locking latch
 material: stainless steel
Hoods/Housings sealing:NER

技术参数:
材料: 压铸铝
表面处理: 粉末喷涂
颜色: RAL7037灰色
温度范围: -40℃~+125℃
防护等级: IP65 (锁紧状态)
联接元件
 锁扣方式: 金属单扣
材料: 不锈钢
密封元件: NER