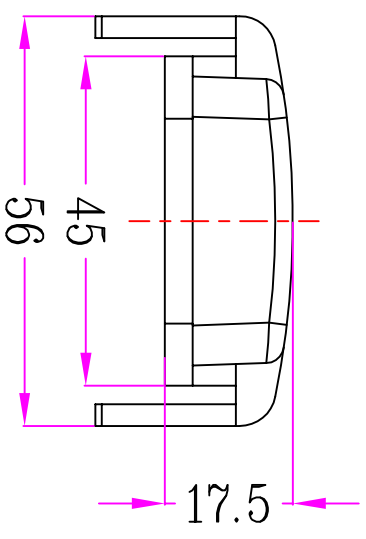
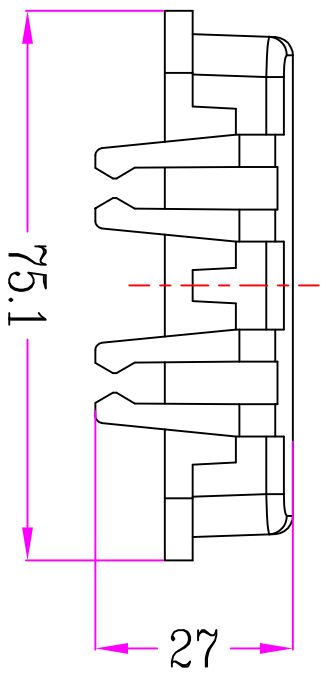




REVISION DATA				
STM	ECN	DESCRIPTION	DATE	APPROVED



	SIGNATURE	DATE	Units	mm	 宁波欧科瑞连接器有限公司 NINGBO OKKERUI CONNECTOR CO., LTD.
DRAW			Size	A4	
DESIGN	杨海辉	23.09.12	Scale		
CHECK			Sheet	1/1	
APPROVE			Pro.j.		TYPE NAME HZW-H10B-CV-4C
					Part number 81 302 010 111
					File path OKR. 10B. H10BV
					REV A0