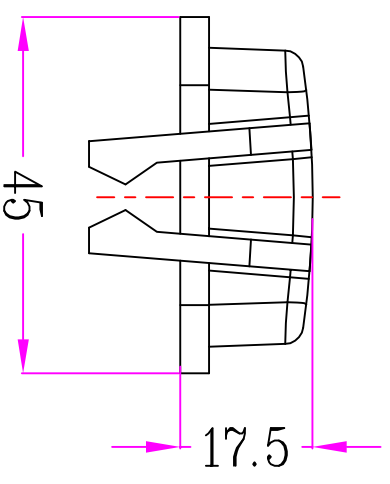
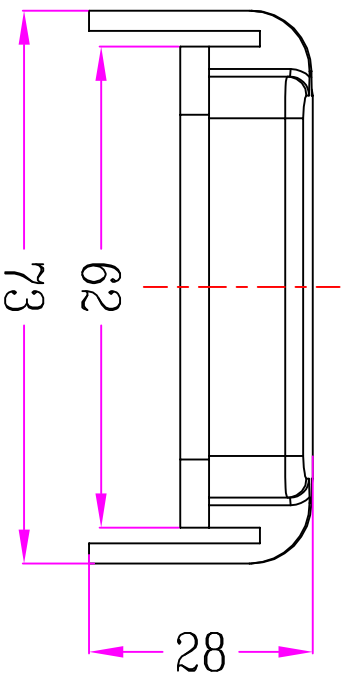




REVISION DATA				
STM	ECN	DESCRIPTION	DATE	APPROVED



	SIGNATURE	DATE	Units	mm	 宁波欧科瑞连接器有限公司 NINGBO OKERUI CONNECTOR CO., LTD.	
DRAW			Size	A4		
DESIGN	杨海辉	23.09.12	Scale		TYPE NAME	HZW-H6B-CV-2C
CHECK			Sheet	1/1	Part number	81 301 006 111
APPROVE			Proj.		File path	OKR. 06B. H06BV
					REV	AO