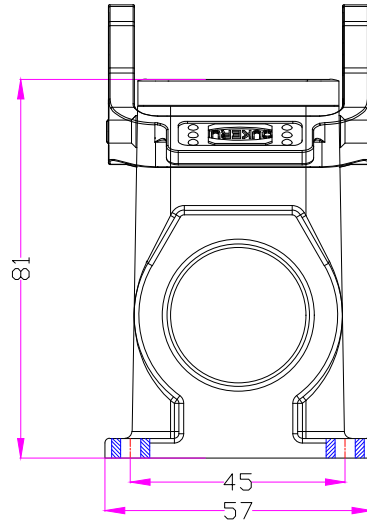
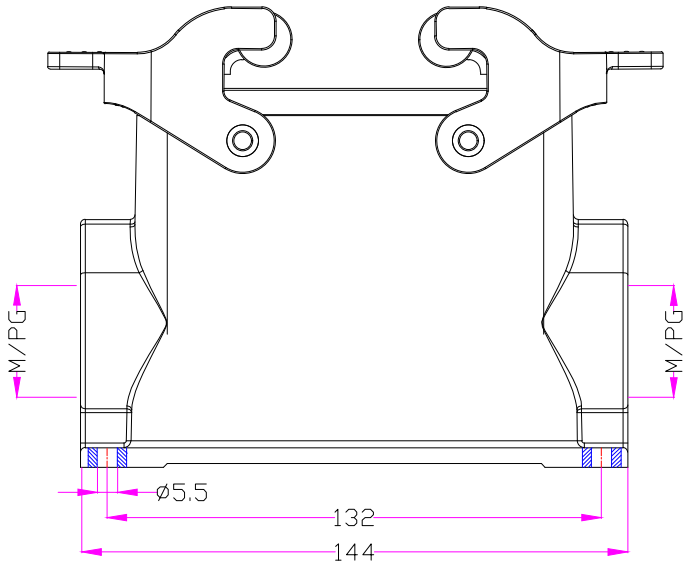


| REVISION DATA | | | | |
|---------------|-----|-------------|------|----------|
| SYM | ECN | DESCRIPTION | DATE | APPROVED |
| | | | | |
| | | | | |



技术参数:

材料: 压铸铝

表面处理: 粉末喷涂

颜色: RAL7037灰色

温度范围: -40℃~+125℃

防护等级: IP65(联锁状态)

联锁元件

锁扣方式: 双扣

材料: 弹簧钢+PC

密封元件: NBR

出线方向: 侧出线

螺纹规格: M32/2M32/PG21/2PG21/PG29/2PG29

Specifications:

Material: aluminium die-cast

Surface: powder-coated

Color: Grey(RAL 7037)

Limiting temperatures: -40℃~+125℃

Degree of protection : IP65

Locking element :

Locking type: double locking latch


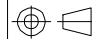
material: Springsteel+PC

Hoods/Housings sealing: NBR

Cable entry: Side entry

Thread size: M32/2M32/PG21/2PG21/PG29/2PG29



| Tolerance | | SIGNATURE | DATE | Units | mm |  宁波欧科瑞连接器有限公司 NINGBO OUKERUI CONNECTOR CO.,LTD. | | |
|---------------|---------|-----------|------|-------|---|---|--|-----|
| 0~≤20 ±0.15 | DRAW | | | Size | A4 | PART NAME: HZW-H24B-SGH-2PL/R-M/PG | | |
| 20~≤50 ±0.25 | DESIGN | | | Scale | | Drawing NO. | | REV |
| 50~≤80 ±0.35 | CHECK | | | Sheet | | Material | | A |
| 80~≤120 ±0.50 | APPROVE | | | Proj. |  | | | |