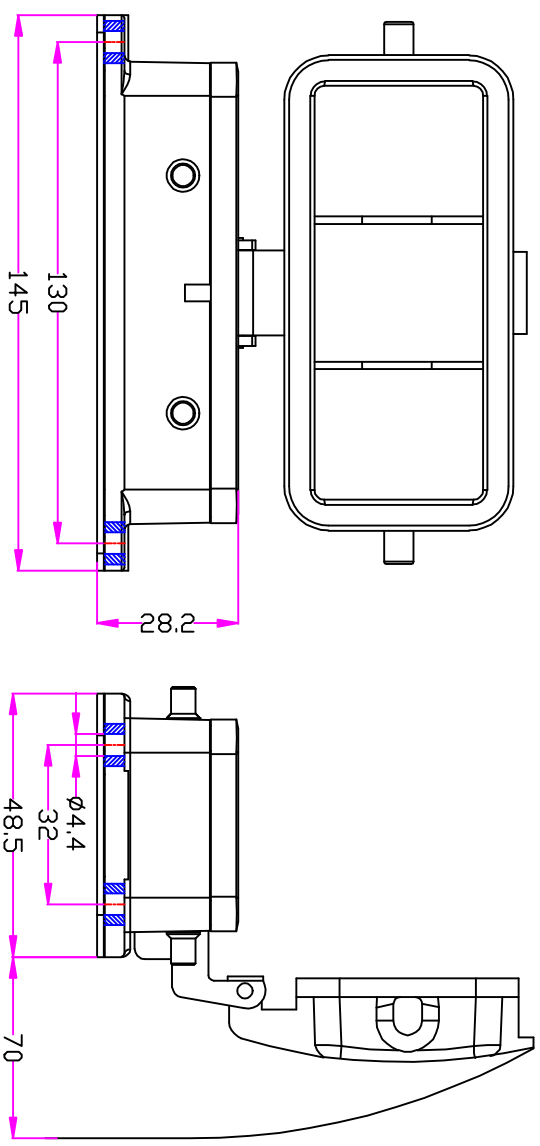
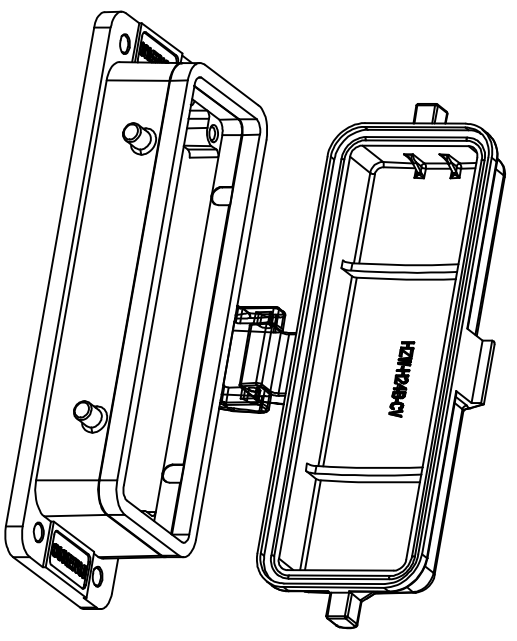
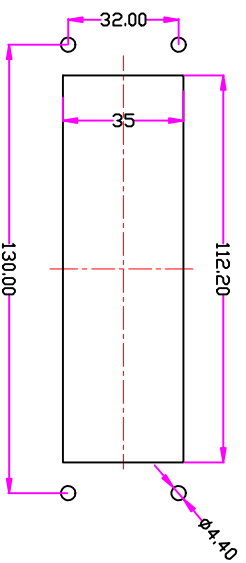


REVISION DATA		DATE	APPROVED
SYM	ECN	DESCRIPTION	



面板开孔图

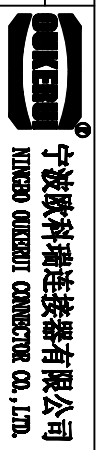
Panel cut



技术参数:
材料: 压铸铝
表面处理: 粉末喷涂
颜色: RAL7037灰色
温度范围: -40℃~+125℃
防护等级: IP65 (联锁状态)
密封元件: NBR
出线方向: 底出线

Specifications:
Material: aluminium die-cast
Surface: powder-coated
Color: Grey (RAL 7037)
Limiting temperatures: -40℃~+125℃
Degree of protection: IP65
Hoods/Housings sealing: NBR
Cable entry: bottom entry

Tolerance	DRAW	SIGNATURE	DATE	Units	mm	Part Name
0~≤20 ±0.15	DRAW			Size	A4	HW-H24B-ST-4g-CV
20~≤50 ±0.25	DESIGN			Scale		
50~≤80 ±0.35	CHECK			Sheet		Drawing NO.
80~≤120 ±0.50	APPROVE			Proj.		Material



宁波欧科瑞连接器有限公司
 NINGBO QIERUI CONNECTOR CO., LTD.

REV
 A