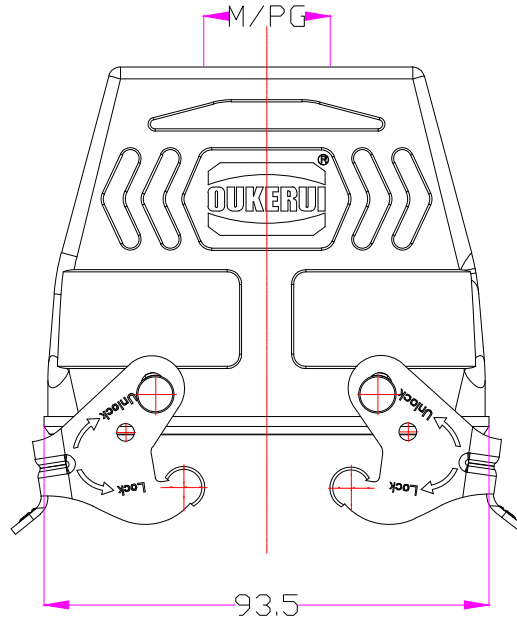
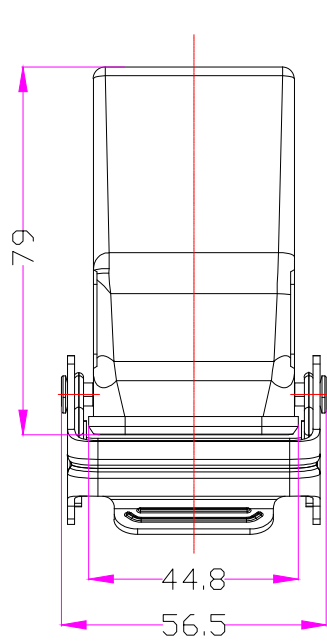


REVISION DATA				
SYM	ECN	DESCRIPTION	DATE	APPROVED



技术参数:

材料: 压铸铝

表面处理: 粉末喷涂

颜色: RAL7037灰色

温度范围:  $-40^{\circ}\text{C} \sim +125^{\circ}\text{C}$

防护等级: IP65 (联锁状态)

联锁元件

锁扣方式: 双扣

材料: 不锈钢

密封元件: NBR

出线方向: 顶出线

螺纹规格: M32/M40/PG21/PG29

Specifications:

Material: aluminium die-cast

Surface: powder-coated

Color: Grey (RAL 7037)

Limiting temperatures:  $-40^{\circ}\text{C} \sim +125^{\circ}\text{C}$

Degree of protection: IP65

Locking element:

Locking type: double locking latch


material: stainless steel

Hoods/Housings sealing: NBR

Cable entry: top entry

Thread size: M32/M40/PG21/PG29



Tolerance		SIGNATURE	DATE	Units	mm	 宁波欧科瑞连接器有限公司 NINGBO OUKERUI CONNECTOR CO., LTD.		
0~≤20 ±0.15	DRAW			Size	A4	PART NAME: HZW-H16B-DJKH-2PL/M-M/PG		
20~≤50 ±0.25	DESIGN			Scale		Drawing NO.		REV
50~≤80 ±0.35	CHECK			Sheet		Material		A
80~≤120 ±0.50	APPROVE			Proj.	