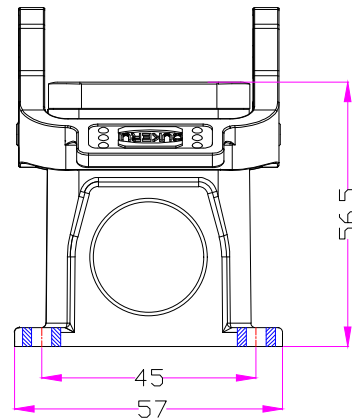
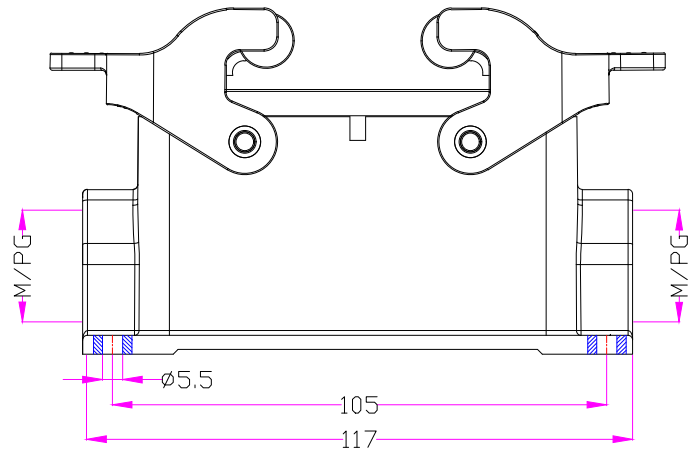


REVISION DATA				
SYM	ECN	DESCRIPTION	DATE	APPROVED



技术参数:

材料: 压铸铝

表面处理: 粉末喷涂

颜色: RAL7037灰色

温度范围: -40℃~+125℃

防护等级: IP65(联锁状态)

联锁元件

锁扣方式: 双扣

材料: 弹簧钢+PC

密封元件: NBR

出线方向: 侧出线

螺纹规格: M25/2M25/PG21/2PG21

Specifications:

Material: aluminium die-cast

Surface: powder-coated

Color: Grey(RAL 7037)

Limiting temperatures: -40℃~+125℃

Degree of protection : IP65

Locking element :


Locking type: double locking latch

material: Springsteel+PC

Hoods/Housings sealing: NBR

Cable entry: Side entry

Thread size: M25/2M25/PG21/2PG21

Tolerance		SIGNATURE	DATE	Units	mm	 宁波欧科瑞连接器有限公司 NINGBO OUKERUI CONNECTOR CO.,LTD.		
0~≤20 ±0.15	DRAW			Size	A4	PART NAME: HZW-H16B-SG-2PL/R-M/PG		
20~≤50 ±0.25	DESIGN			Scale		Drawing NO.		REV
50~≤80 ±0.35	CHECK			Sheet		Material		A
80~≤120 ±0.50	APPROVE			Proj.	