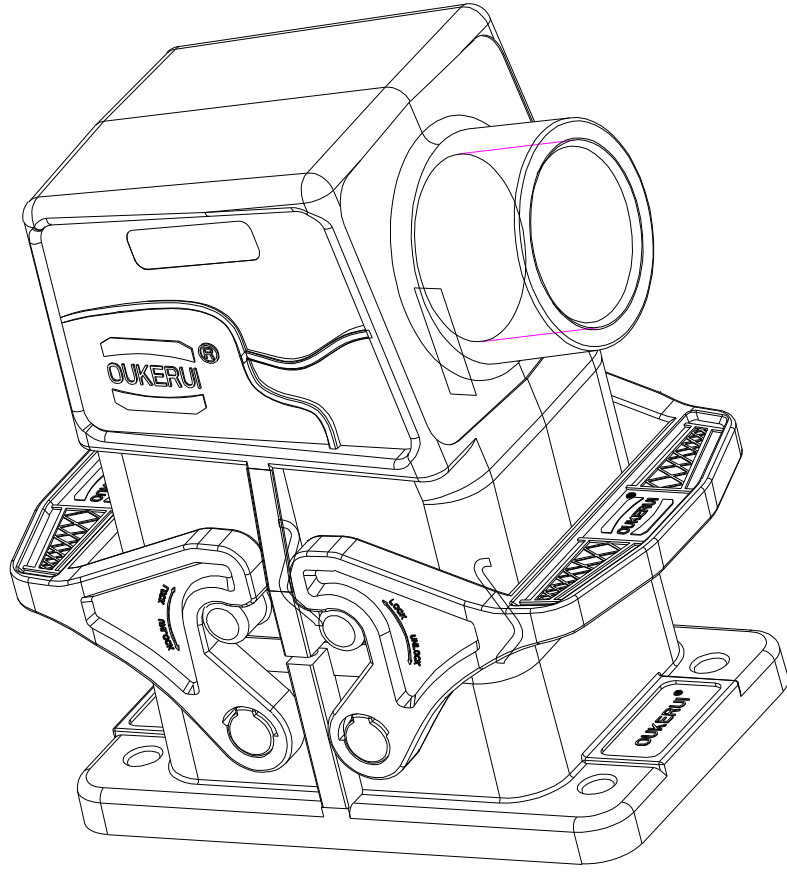
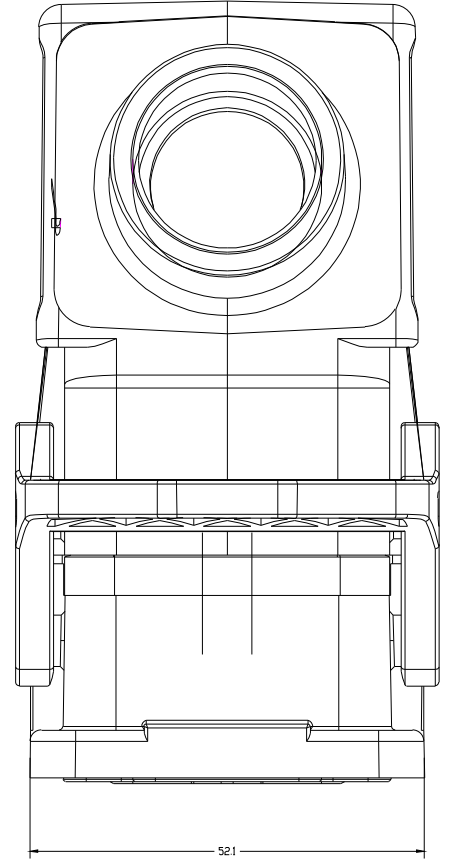
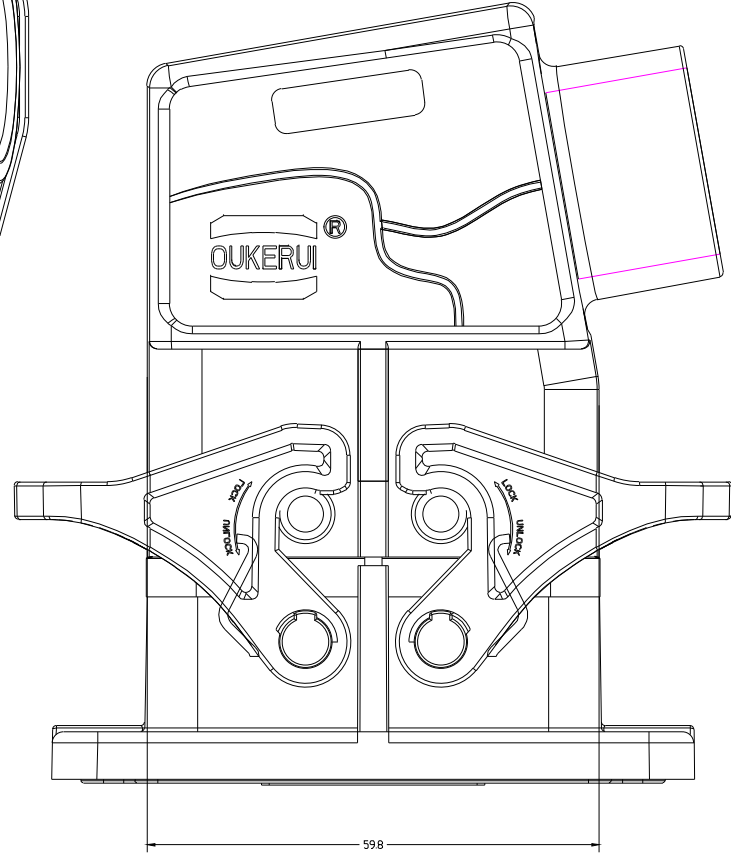
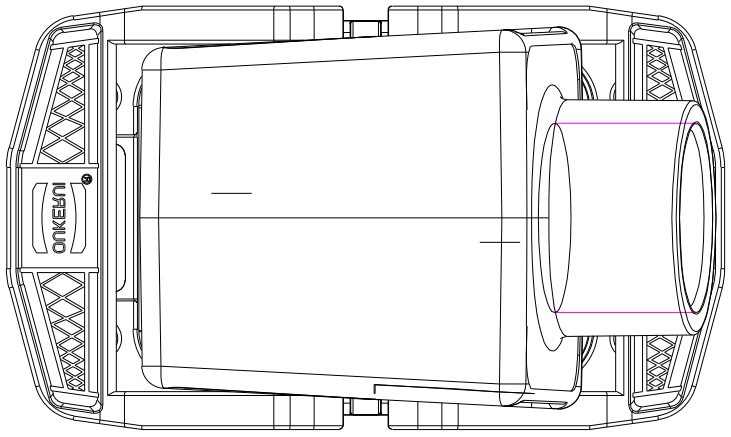


6		7	8	
REVISION		DATA		
SYM	ECN	DESCRIPTION	DATE	APPROVED



Tolerance		SIGNATURE	DATE	Units	mm
0~≤20 ±0.15	DRAW			Size	A4
20~≤50 ±0.25	DESIGN			Scale	
50~≤80 ±0.35	CHECK			Sheet	
80~≤120 ±0.50	APPROVE			Proj.	

**OUKERUI** 宁波欧科瑞连接器有限公司  
NINGBO OKERUI CONNECTOR CO., LTD.

PART NAME: HZW-H6B. P-SKH-ST-2PL-M25

Drawing NO.		REV
Material		A