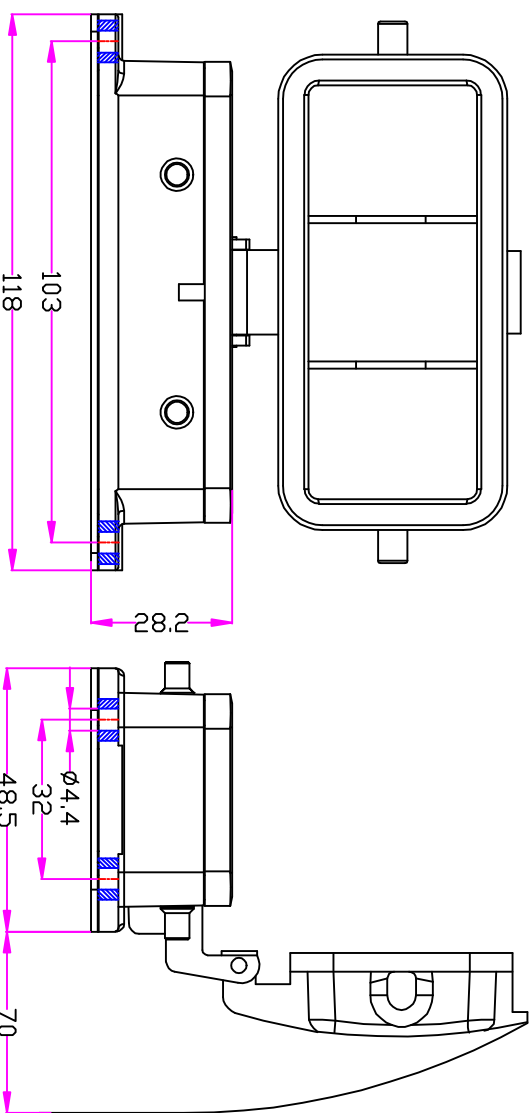
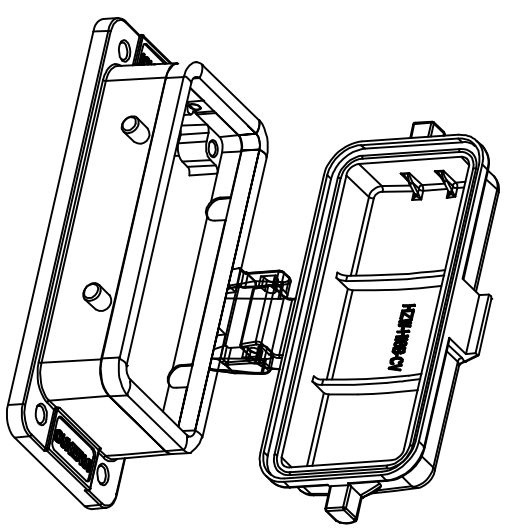
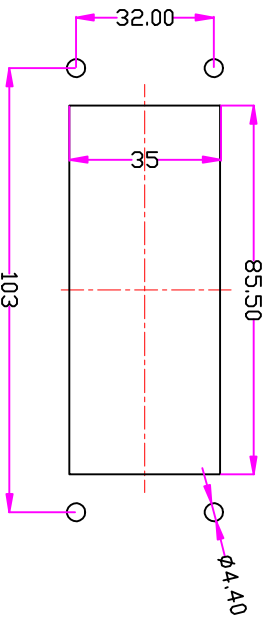


REVISION DATA				
SYM	ECN	DESCRIPTION	DATE	APPROVED



### 面板开孔图

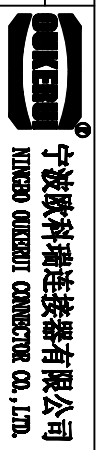
Panel cut



**技术参数:**  
**材料:** 压铸铝  
**表面处理:** 粉末喷涂  
**颜色:** RAL7037灰色  
**温度范围:** -40℃~+125℃  
**防护等级:** IP65 (联锁状态)  
**密封元件:** NBR  
**出线方向:** 底出线

**Specifications:**  
**Material:** aluminium die-cast  
**Surface:** powder-coated  
**Color:** Grey (RAL 7037)  
**Limiting temperatures:** -40℃~+125℃  
**Degree of protection :** IP65  
**Hoods/Housings sealing:** NBR  
**Cable entry:** bottom entry

Tolerance	DRAW	SIGNATURE	DATE	Units	mm	Part Name	Drawing NO.	REV
0~≤20 ±0.15	DRAW			A4		HW-H16B-ST-4g-CV		
20~≤50 ±0.25	DESIGN			Scale				
50~≤80 ±0.35	CHECK			Sheet				
80~≤120 ±0.50	APPROVE			Proj.				



NINGBO QIERUI CONNECTOR CO., LTD.