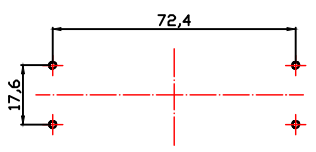
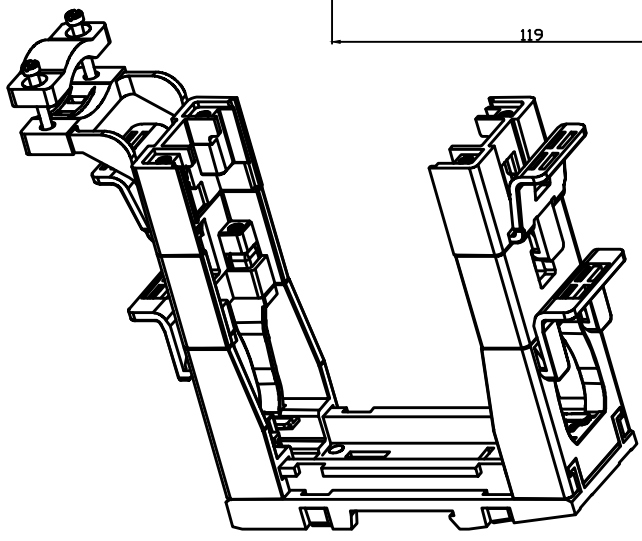
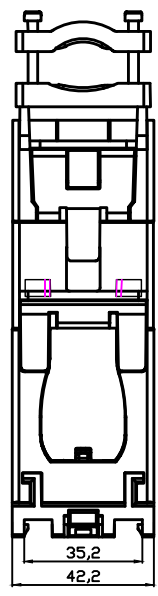
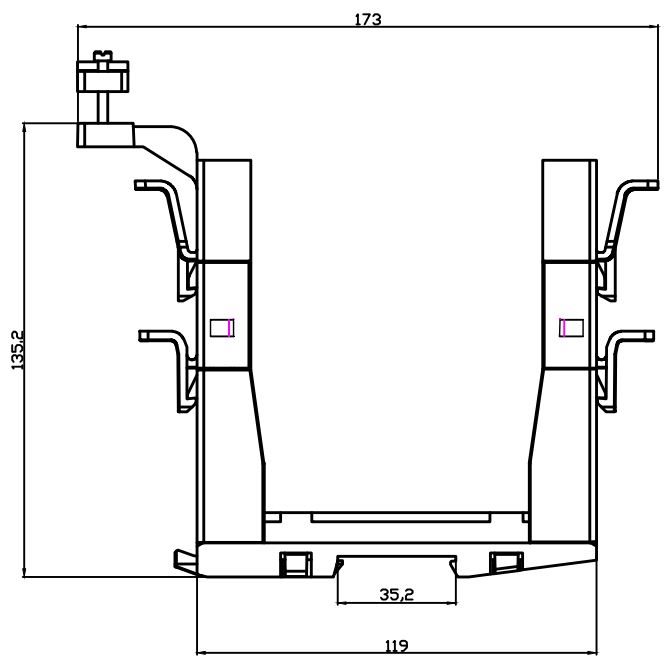

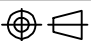


REVISION DATA				
SYM	ECN	DESCRIPTION	DATE	APPROVED



螺丝板尺寸
screw panel cut out

技术参数:
材料: PC
Technical specification:
-Material: PC

Tolerance		SIGNATURE	DATE	Units	mm	 宁波欧科瑞连接器有限公司 NINGBO OUKERUI CONNECTOR CO., LTD.	
0~≤20 ±0.15	DRAW			Size	A4		
20~≤50 ±0.25	DESIGN			Scale		PART NAME: HZW-CCAB	
50~≤80 ±0.35	CHECK			Sheet		Drawing NO.	REV
80~≤120 ±0.50	APPROVE			Proj.		Material	A