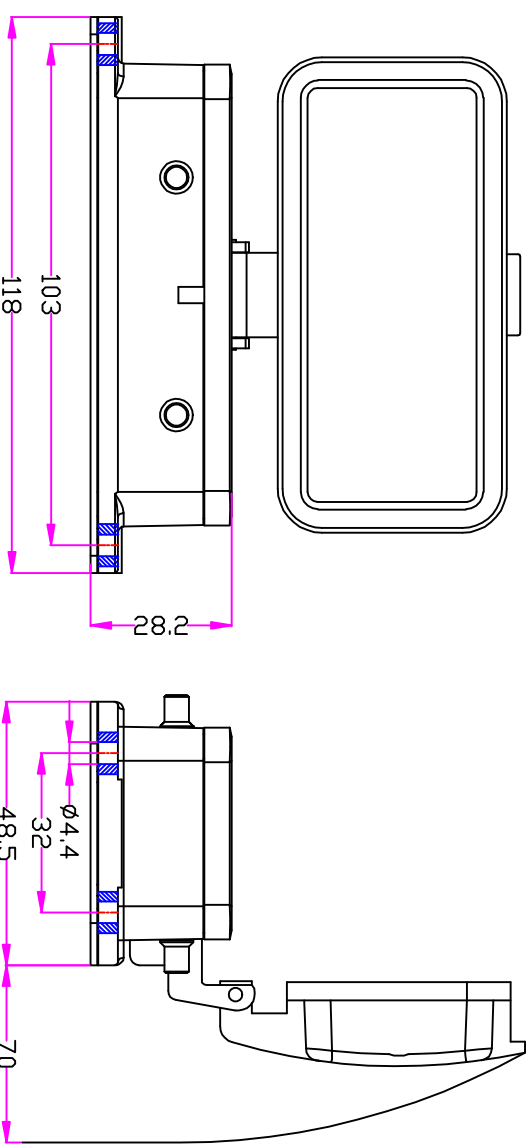
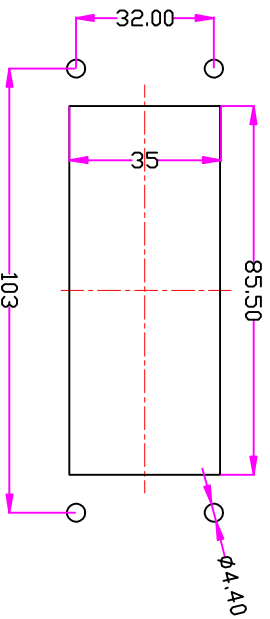


| REVISION DATA | | 7 | 8 |
|---------------|-----|-------------|----------|
| SYM | ECN | DESCRIPTION | DATE |
| | | | APPROVED |
| | | | |



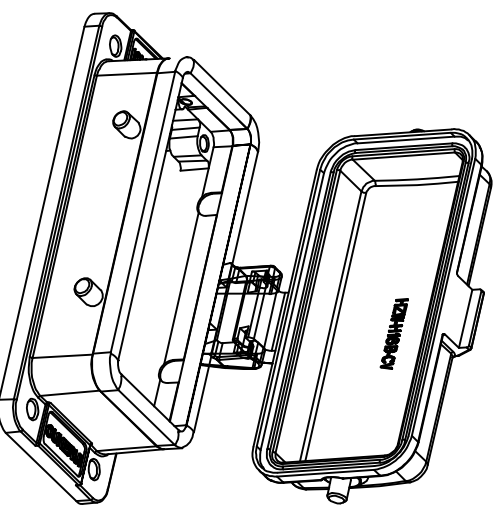
面板开孔图


Panel cut



技术参数:
材料: 压铸铝
表面处理: 粉末喷涂
颜色: RAL7037灰色
温度范围: -40℃~+125℃
防护等级: IP65 (联锁状态)
密封元件: NBR
出线方向: 底出线

Specifications:
Material: aluminium die-cast
Surface: powder-coated
Color: Grey (RAL 7037)
Limiting temperatures: -40℃~+125℃
Degree of protection : IP65
Hoods/Housings sealing: NBR
Cable entry: bottom entry



| Tolerance | SIGNATURE | DATE | Units | mm | Part Name |
|---------------|-----------|------|-------------|----|---|
| 0~≤20 ±0.15 | DRAW | | Size | A4 |  宁波欧科瑞连接器有限公司 NINGBO QIKERSI CONNECTOR CO., LTD. |
| 20~≤50 ±0.25 | DESIGN | | Scale | | |
| 50~≤80 ±0.35 | CHECK | | Sheet | | |
| 80~≤120 ±0.50 | APPROVE | | Proj. | | |
| | | | Drawing NO. | | |
| | | | Material | | |
| | | | REV | A | |

