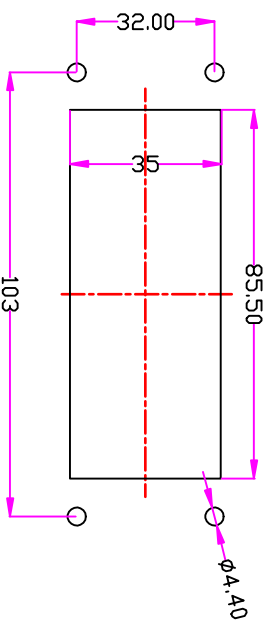
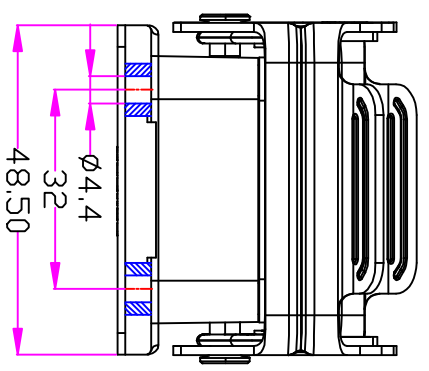
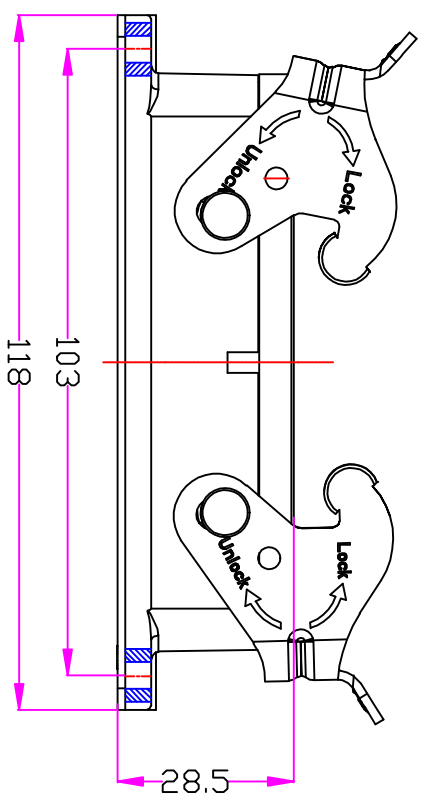


REVISION DATA				
SYM	ECN	DESCRIPTION	DATE	APPROVED



## 面板开孔图

Panel cut

**技术参数:**  
 材料: 压铸铝  
 表面处理: 粉末喷涂  
 颜色: RAL7037灰色  
 温度范围: -40℃~+125℃  
 防护等级: IP65 (铁锁状态)  
 锁紧元件

锁扣方式: 双扣  
 材料: 不锈钢  
 密封元件: NBR  
 出线方向: 底部出线

**Specifications:**  
 Material: aluminum die-cast  
 Surface: powder-coated  
 Color: Grey (RAL 7037)  
 Limiting temperature: -40℃~+125℃  
 Degree of protection: IP65

Locking element:  
 Locking type: double locking latch  
 material: stainless steel  
 Hoods/Housings sealing: NBR  
 Cable entry: bottom entry

Tolerance	SIGNATURE	DATE	Units	mm	 <b>宁波欧科瑞连接器有限公司</b> NINGBO QIKERSI CONNECTOR CO., LTD.
0~≤20 ±0.15	DRAW		Size	A4	
20~≤50 ±0.25	DESIGN		Scale		PART NAME: HZT-H16B-ST-2PL/M
50~≤80 ±0.35	CHECK		Sheet		Drawing NO.
80~≤120 ±0.50 APPROVE			Proj.		Material
					REV
					A