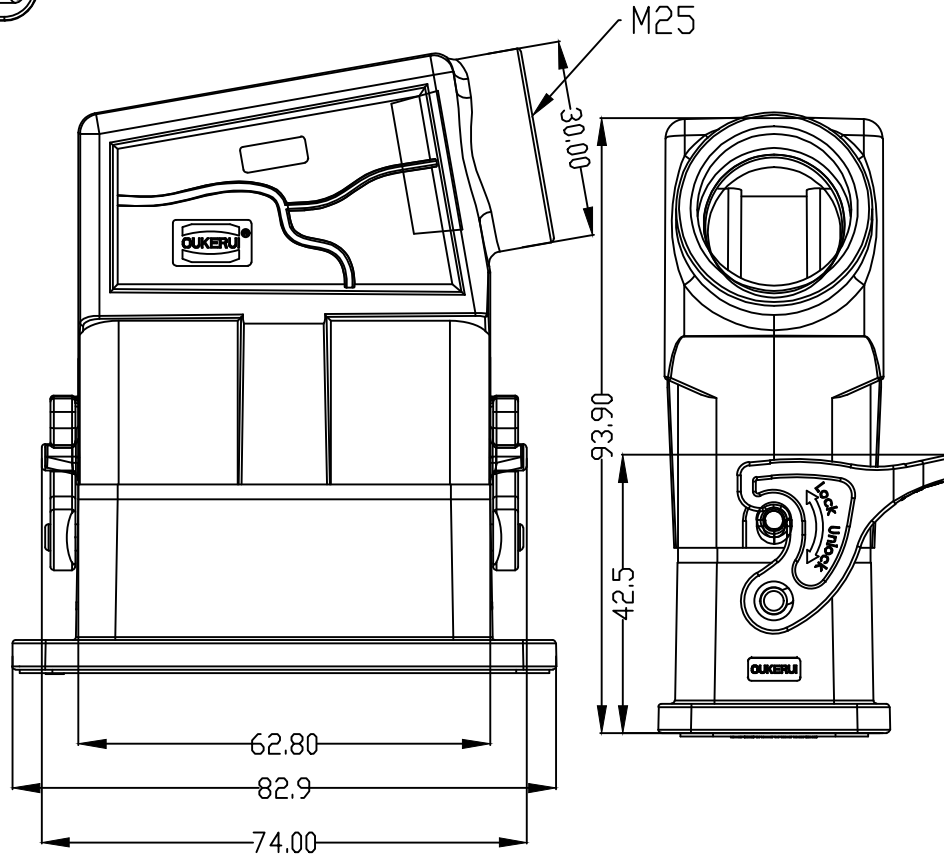
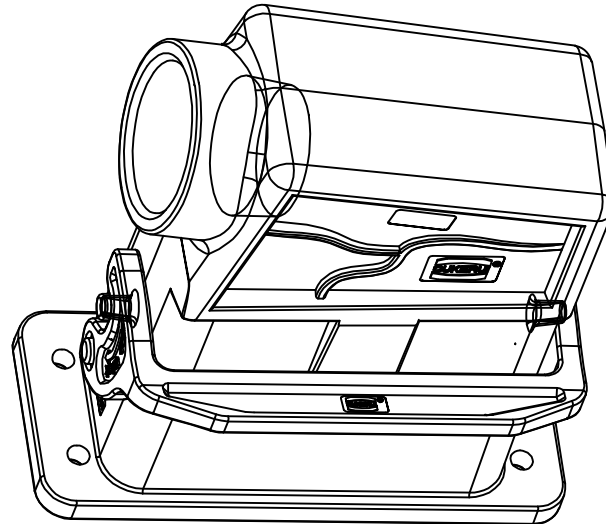
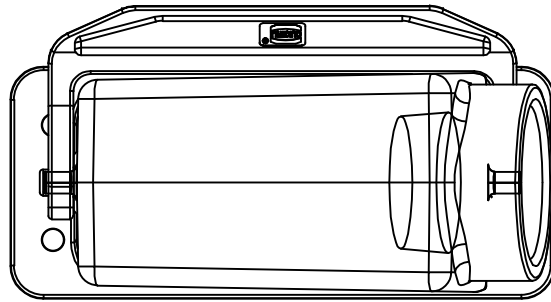

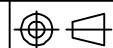


REVISION		DATA		
SYM	ECN	DESCRIPTION	DATE	APPROVED



技术参数
 材料: PC
 颜色: RAL 9005(黑色)
 温度范围: -40° C - +125° C
 防护等级: IP65(联锁状态, IEC 60529)
 出线方向: 侧出线
 出线孔: 1
 螺纹规格: M25*1.5
 密封元件: NBR

Technical specification;
 Material:PC
 Colour:RAL 9005(black)
 Temperature range:-40° C - +125° C
 Degree of protection:IP65
 (acc.toIEC 60529 for coupledconnector)
 Cable entry:side entry
 NO.of cable entries:1
 Thread size:M25*1.5
 hoods/Housings sealing:NBR

Tolerance		SIGNATURE	DATE	Units	mm	 宁波欧科瑞连接器有限公司 NINGBO OUKERUI CONNECTOR CO., LTD.
0~≤20 ±0.15	DRAW			Size	A4	
20~≤50 ±0.25	DESIGN			Scale		PART NAME: HZW-H10A.P-SKH-ST-1PL-M25
50~≤80 ±0.35	CHECK			Sheet		Drawing NO.
80~≤120 ±0.50	APPROVE			Proj.		Material
						REV
						A