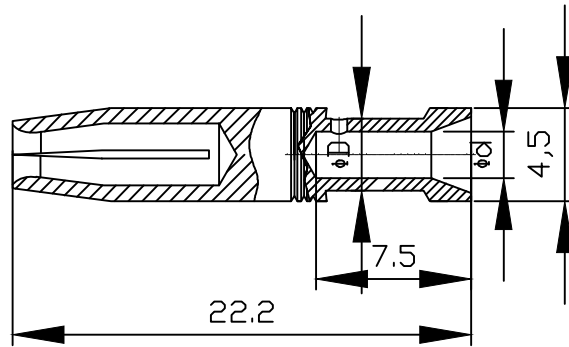
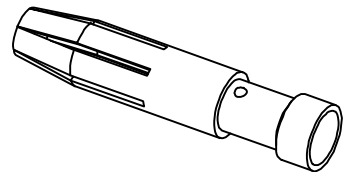

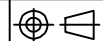


表面鍍金	Wire gauge	φ	D
CEGM-0.37	0.14-0.37 mm <sup>2</sup> AWG 26-22	0.90	1.8
CEGM-0.5	0.5 mm <sup>2</sup> AWG 20	1.10	2.6
CEGM-0.75	0.75 mm <sup>2</sup> AWG 18	1.30	2.6
CEGM-1.0	1.0 mm <sup>2</sup> AWG 18	1.45	2.6
CEGM-1.5	1.5 mm <sup>2</sup> AWG 16	1.75	3.0
CEGM-2.5	2.5 mm <sup>2</sup> AWG 14	2.25	3.5
CEGM-3.0	3.0 mm <sup>2</sup> AWG 12	2.55	3.7
CEGM-4.0	4.0 mm <sup>2</sup> AWG 12	2.85	3.9

REVISION DATA				
SYM	ECN	DESCRIPTION	DATE	APPROVED



Tolerance		SIGNATURE	DATE	Units	mm	 宁波欧科瑞连接器有限公司 NINGBO OUKERUI CONNECTOR CO., LTD.	
0~≤20 ±0.15	DRAW			Size	A4		
20~≤50 ±0.25	DESIGN			Scale		PART NAME: HZW-CEGF	
50~≤80 ±0.35	CHECK			Sheet		Drawing NO.	REV
80~≤120 ±0.50	APPROVE			Proj.		Material	A