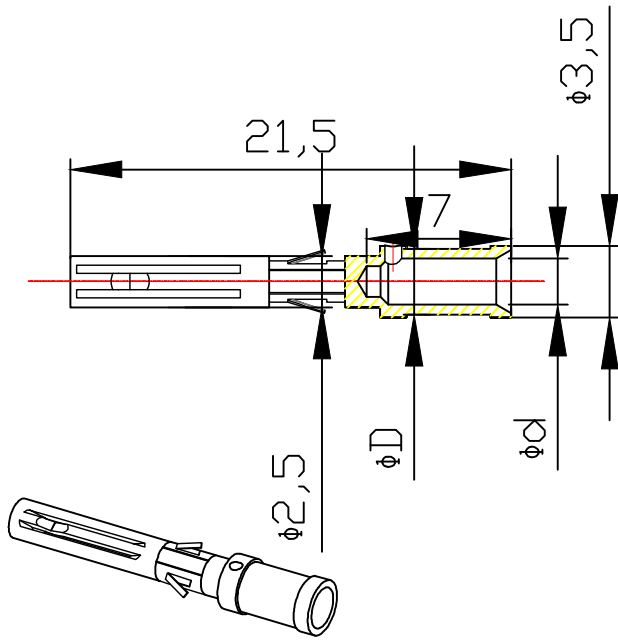



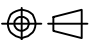
表面镀金	Wire gauge		d	D	剥线长度
CIGF-0.37	0.14-0.37mm <sup>2</sup>	AWG 26-22	0.90	2.6	7mm
CIGF-0.5	0.5mm <sup>2</sup>	AWG 20	1.16	2.6	7mm
CIGF-0.75	0.75mm <sup>2</sup>	AWG 18	1.30	2.6	7mm
CIGF-1.0	1.0mm <sup>2</sup>	AWG 18	1.45	2.6	7mm
CIGF-1.5	1.5mm <sup>2</sup>	AWG 16	1.75	3.0	7mm
CIGF-2.5	2.5mm <sup>2</sup>	AWG 14	2.25	3.2	7mm

REVISION DATA				
SYM	ECN	DESCRIPTION	DATE	APPROVED



技术参数:  
 材料: 铜合金  
 表面处理: 镀金  
 额定电流: 10A  
 接触电阻: ≤3mΩ  
 线径范围: 0.14-2.5mm<sup>2</sup> (26-14 AWG)  
 可插拔次数: ≥500

Specifications:  
 Material: Brass  
 Surface: Hard-gold plated  
 Rated current: 10A  
 Contact resistance: ≤3mΩ  
 Crimp terminal  
 Wire gauge: 0.14-2.5mm<sup>2</sup>  
 American wire gauge: 26-14  
 Mechanical working life mating cycles: ≥500

Tolerance		SIGNATURE	DATE	Units	mm	 宁波欧科瑞连接器有限公司 NINGBO OUKERUI CONNECTOR CO., LTD.
0~≤20 ±0.15	DRAW			Size	A4	
20~≤50 ±0.25	DESIGN			Scale		PART NAME: HZW-CIGF
50~≤80 ±0.35	CHECK			Sheet		Drawing NO.
80~≤120 ±0.50	APPROVE			Proj.		Material
						REV
						A