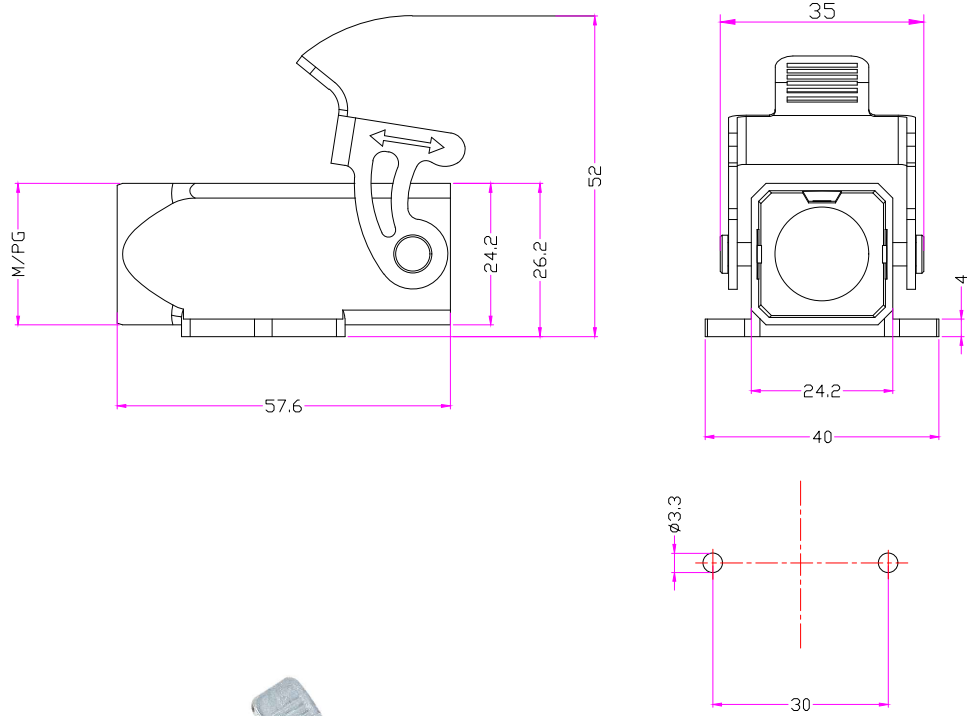


REVISION DATA				
SYM	ECN	DESCRIPTION	DATE	APPROVED


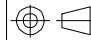


技术参数:  
 材料: 锌合金  
 表面处理: 粉末喷涂  
 颜色: RAL7037灰色  
 温度范围: -40℃~+125℃  
 防护等级: IP65(联锁状态)  
 联锁元件  
     锁扣方式: 单扣  
     材料: 不锈钢  
 出线方向: 表面安装  
 螺纹规格: M16/M20/PG11  
 Specifications:  
 Material: zinc alloy  
 Surface: powder-coated  
 Color: Grey(RAL 7037)  
 Limiting temperatures: -40℃~+125℃  
 Degree of protection : IP65  
 Locking element :  
     Locking type: single locking latch  
     material: stainless steel  
 Cable entry: Surface Mounting  
 Thread size: M16/M20/PG11



### 底面安装孔图

Installation of Kongtu on the bottom

Tolerance		SIGNATURE	DATE	Units	mm	 宁波欧科瑞连接器有限公司 NINGBO OUKERUI CONNECTOR CO.,LTD.	
0~≤20 ±0.15	DRAW			Size	A4		
20~≤50 ±0.25	DESIGN			Scale		PART NAME: HZW-H3A-SG-1PL-M/PG	
50~≤80 ±0.35	CHECK			Sheet		Drawing NO.	REV
80~≤120 ±0.50	APPROVE			Proj.		Material	A