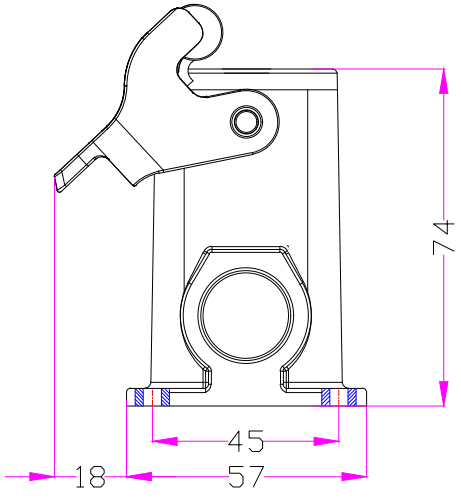
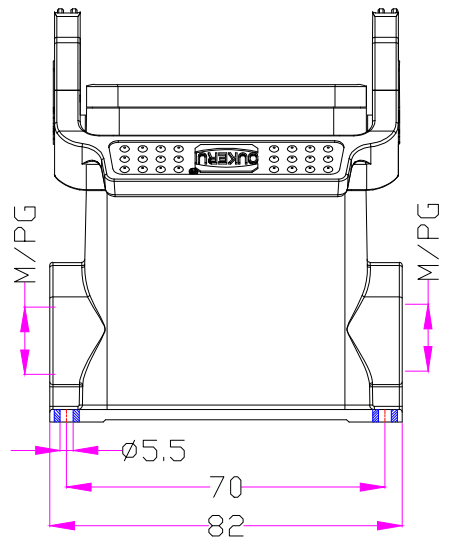

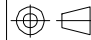


REVISION DATA				
SYM	ECN	DESCRIPTION	DATE	APPROVED



**技术参数:**  
 材料: 压铸铝  
 表面处理: 粉末喷涂  
 颜色: RAL7037灰色  
 温度范围: -40℃~+125℃  
 防护等级: IP65(联锁状态)  
 联锁元件  
     锁扣方式: 单扣  
     材料: 弹簧钢+PC  
 密封元件: NBR  
 出线方向: 侧出线  
 螺纹规格: M25/2M25/M32/2M32/PG21/2PG21/PG29/2PG29  
**Specifications:**  
 Material: aluminium die-cast  
 Surface: powder-coated  
 Color: Grey (RAL 7037)  
 Limiting temperatures: -40℃~+125℃  
 Degree of protection: IP65  
 Locking element :  
     Locking type: single locking latch  
     material: Springsteel+PC  
 Hoods/Housings sealing: NBR  
 Cable entry: side entry  
 Thread size: M25/2M25/M32/2M32/PG21/2PG21/PG29/2PG29



Tolerance		SIGNATURE	DATE	Units	mm	 宁波欧科瑞连接器有限公司 NINGBO OKERUI CONNECTOR CO.,LTD.	
0~≤20 ±0.15	DRAW			Size	A4		
20~≤50 ±0.25	DESIGN			Scale		PART NAME: HZW-H6B-SGH-1PL/R-M/PG	
50~≤80 ±0.35	CHECK			Sheet		Drawing NO.	REV
80~≤120 ±0.50	APPROVE			Proj.		Material	A