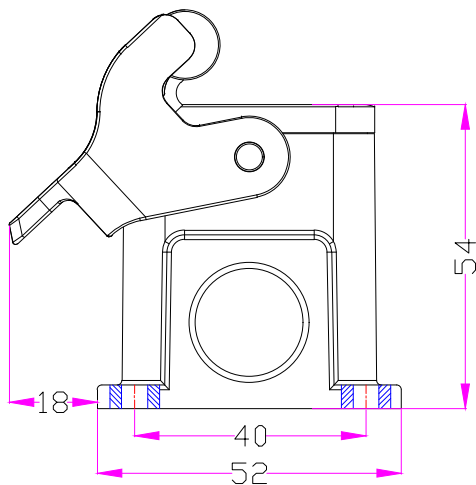
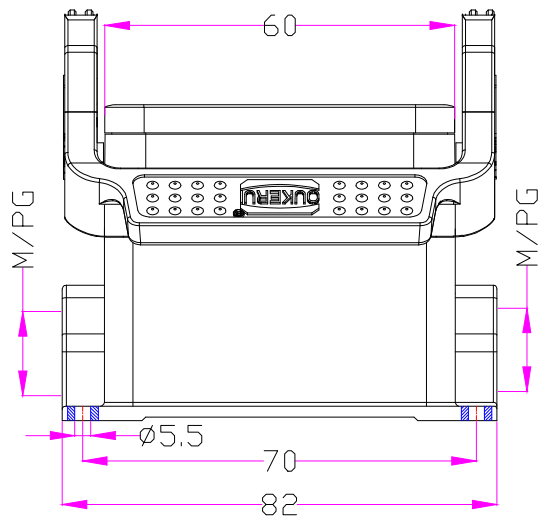


REVISION DATA				
SYM	ECN	DESCRIPTION	DATE	APPROVED



技术参数:

材料: 压铸铝

表面处理: 粉末喷涂

颜色: RAL7037灰色

温度范围: -40℃~+125℃

防护等级: IP65(联锁状态)

联锁元件

锁扣方式: 单扣

材料: 弹簧钢+PC

密封元件: NBR

出线方向: 侧出线

螺纹规格: M20/2M20/M25/2M25/PG13.5/2PG13.5/PG16/2PG16

Specifications:

Material: aluminium die-cast

Surface: powder-coated

Color: Grey(RAL 7037)

Limiting temperatures: -40℃~+125℃

Degree of protection: IP65

Locking element:

Locking type: single locking latch


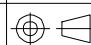
material: Springsteel+PC

Hoods/Housings sealing: NBR

Cable entry: side entry

Thread size: M20/2M20/M25/2M25/PG13.5/2PG13.5/PG16/2PG16



Tolerance		SIGNATURE	DATE	Units	mm	 宁波欧科瑞连接器有限公司 NINGBO OKERUI CONNECTOR CO.,LTD.	
0~≤20 ±0.15	DRAW			Size	A4		
20~≤50 ±0.25	DESIGN			Scale		PART NAME: HZW-H6B-SG-1PL/R-M/PG	
50~≤80 ±0.35	CHECK			Sheet		Drawing NO.	REV
80~≤120 ±0.50	APPROVE			Proj.		Material	A