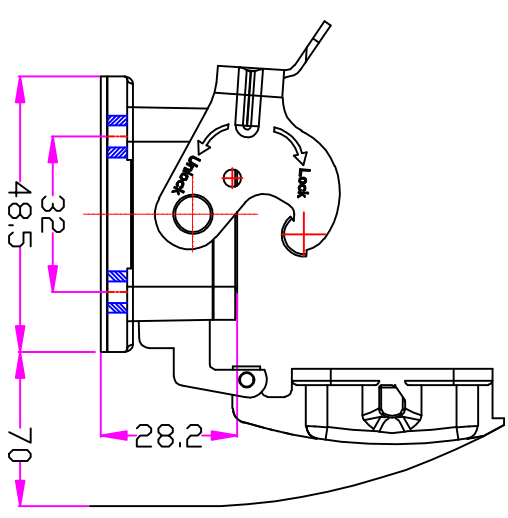
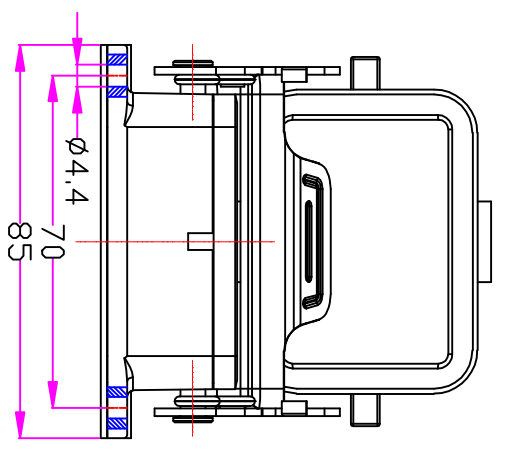
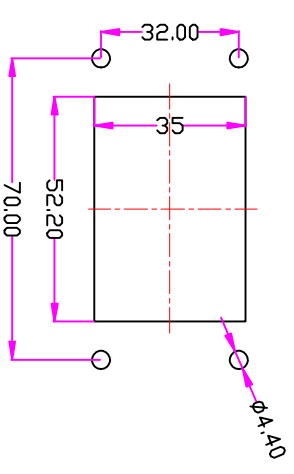


REVISION DATA		DATE	APPROVED
SYM	ECN	DESCRIPTION	



面板开孔图

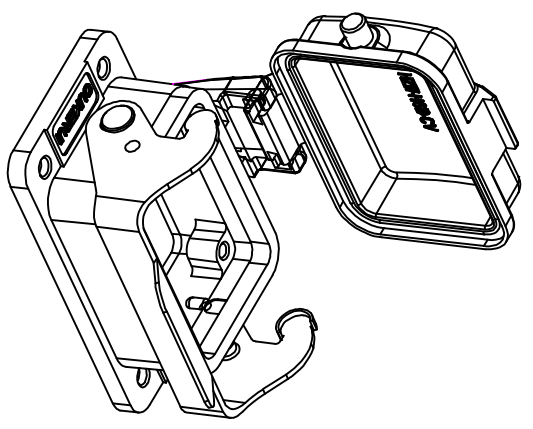
Panel cut



技术参数:
 材料: 压铸铝
 表面处理: 粉末喷涂
 颜色: RAL7037灰色
 温度范围: $-40^{\circ}\text{C} \sim +125^{\circ}\text{C}$
 防护等级: IP65 (锁定状态)
 解锁元件

锁扣方式: 单扣
 材料: 弹簧钢+PC
 密封元件: NBR
 出线方向: 底部出线

Specifications:
 Material: aluminum die-cast
 Surface: powder-coated
 Color: Grey (RAL 7037)
 Limiting temperatures: $-40^{\circ}\text{C} \sim +125^{\circ}\text{C}$
 Degree of protection: IP65
 Locking element:
 Locking type: single locking latch
 materials: Springssteel+PC
 Hoods/Housings sealing: NBR
 Cable entry: bottom entry



Tolerance	DRAW	SIGNATURE	DATE	Units	mm	Sheet	Drawing NO.	Material	REV
0~≤20 ±0.15	DRAW			Size	A4				
20~≤50 ±0.25	DESIGN			Scale					
50~≤80 ±0.35	CHECK			Sheet					
80~≤120 ±0.50	APPROVE			Proj.					



PART NAME: HZW-16B-ST-MCV-1PL/M