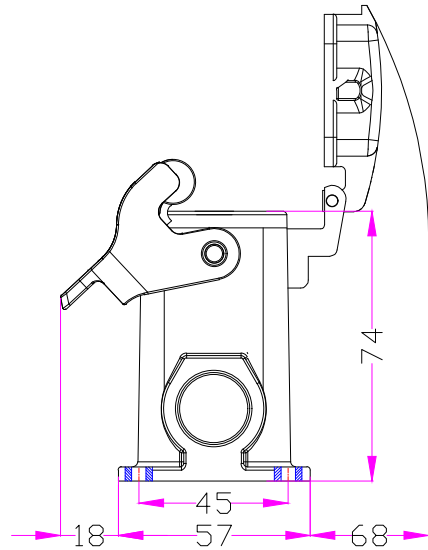
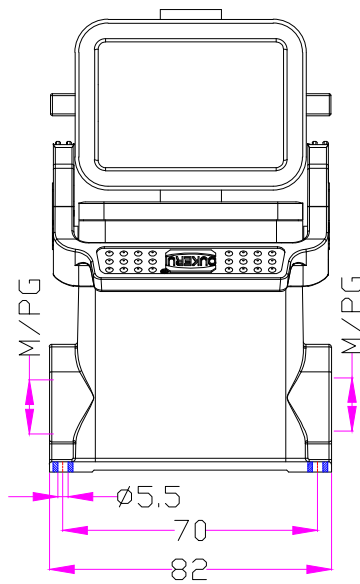


REVISION DATA				
SYM	ECN	DESCRIPTION	DATE	APPROVED



技术参数:

材料: 压铸铝

表面处理: 粉末喷涂

颜色: RAL7037灰色

温度范围: $-40^{\circ}\text{C} \sim +125^{\circ}\text{C}$

防护等级: IP65 (连锁状态)

连锁元件

锁扣方式: 单扣

材料: 弹簧钢+PC

密封元件: NBR

出线方向: 侧出线

螺纹规格: M25/2M25/M32/2M32/PG21/2PG21/PG29/2PG29

Specifications:

Material: aluminium die-cast

Surface: powder-coated

Color: Grey (RAL 7037)

Limiting temperatures: $-40^{\circ}\text{C} \sim +125^{\circ}\text{C}$

Degree of protection: IP65

Locking element:


Locking type: single locking latch

material: Springsteel+PC

Hoods/Housings sealing: NBR

Cable entry: side entry

Thread size: M25/2M25/M32/2M32/PG21/2PG21/PG29/2PG29

Tolerance		SIGNATURE	DATE	Units	mm	 宁波欧科瑞连接器有限公司 NINGBO OUKERUI CONNECTOR CO., LTD.		
0~ ≤ 20	± 0.15	DRAW		Size	A4	PART NAME: HZW-H6B-SGH-CV-1PL/R-M/PG		
20~ ≤ 50	± 0.25	DESIGN		Scale		Drawing NO.		REV
50~ ≤ 80	± 0.35	CHECK		Sheet		Material		A
80~ ≤ 120	± 0.50	APPROVE		Proj.	