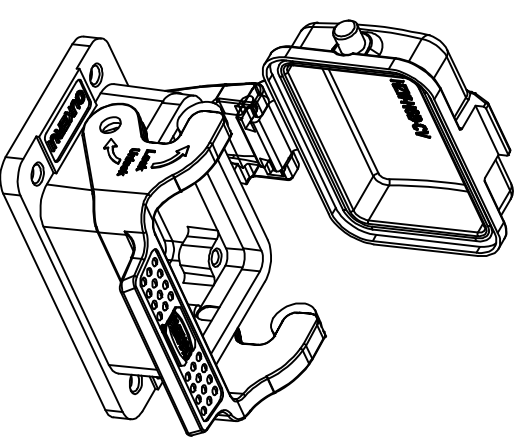
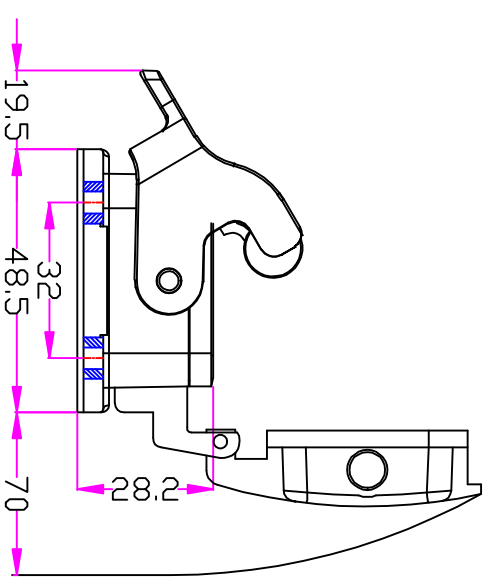
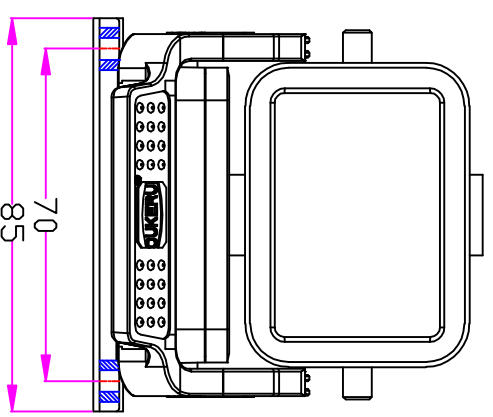
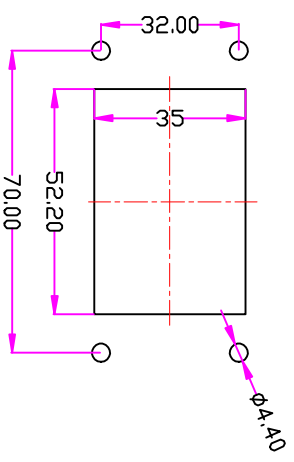


REVISION DATA		DATE	APPROVED
SYM	ECN	DESCRIPTION	



## 面板开孔图

Panel cut



**技术参数:**  
 材料: 压铸铝  
 表面处理: 粉末喷涂  
 颜色: RAL7037灰色  
 温度范围:  $-40^{\circ}\text{C}\sim+125^{\circ}\text{C}$   
 防护等级: IP65 (锁定状态)  
 联接元件  
 锁扣方式: 单扣  
 材料: 弹簧钢+PC  
 密封元件: NBR  
 出线方向: 底部出线

**Specifications:**  
 Material: aluminum die-cast  
 Surface: powder-coated  
 Color: Grey (RAL 7037)  
 Limiting temperatures:  $-40^{\circ}\text{C}\sim+125^{\circ}\text{C}$   
 Degree of protection: IP65  
 Locking element :  
 Locking type: single locking latch  
 materials: Springssteel+PC  
 Hoods/Housings sealing: NBR  
 Cable entry: bottom entry

Tolerance	DRAW	SIGNATURE	DATE	Units	mm	Material
0~≤20 ±0.15	DRAW			Size	A4	
20~≤50 ±0.25	DESIGN			Scale		
50~≤80 ±0.35	CHECK			Sheet		Drawing NO.
80~≤120 ±0.50	APPROVE			Proj.		Material



宁波欧科瑞连接器有限公司  
 NINGBO QIKERSI CONNECTOR CO., LTD.

PART NAME: HZW-16B-ST-MCV-1PL/R

REV  
A