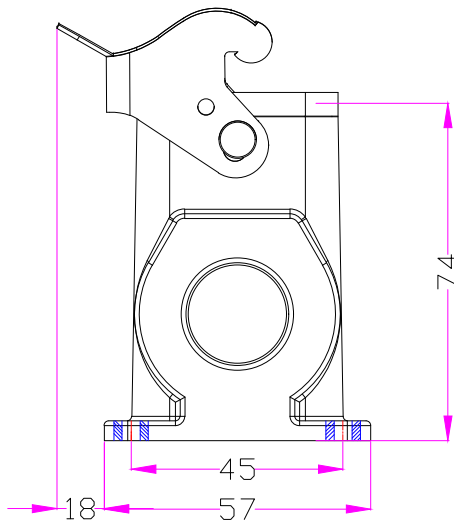
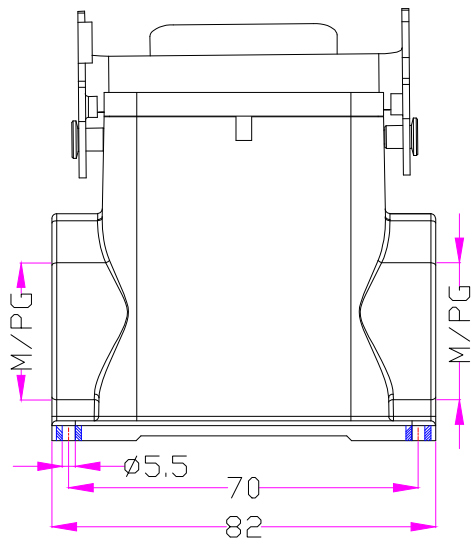


REVISION DATA				
SYM	ECN	DESCRIPTION	DATE	APPROVED



技术参数:

材料: 压铸铝

表面处理: 粉末喷涂

颜色: RAL7037灰色

温度范围: -40℃~+125℃

防护等级: IP65(联锁状态)

联锁元件

锁扣方式: 单扣

材料: 不锈钢

密封元件: NBR

出线方向: 侧出线

螺纹规格: M25/2M25/M32/2M32/PG21/2PG21/PG29/2PG29

Specifications:

Material: aluminium die-cast

Surface: powder-coated

Color: Grey(RAL 7037)

Limiting temperatures: -40℃~+125℃

Degree of protection : IP65

Locking element :

Locking type: single locking latch


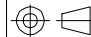
material: stainless steel

Hoods/Housings sealing: NBR

Cable entry: Side entry

Thread size: M25/2M25/M32/2M32/PG21/2PG21/PG29/2PG29



Tolerance		SIGNATURE	DATE	Units	mm	 宁波欧科瑞连接器有限公司 NINGBO OKERUI CONNECTOR CO.,LTD.
0~≤20 ±0.15	DRAW			Size	A4	
20~≤50 ±0.25	DESIGN			Scale		PART NAME: HZW-H6B-SGH-1PL/M-M/PG
50~≤80 ±0.35	CHECK			Sheet		Drawing NO.
80~≤120 ±0.50	APPROVE			Proj.		Material
						REV
						A