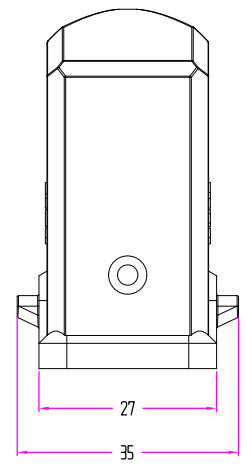
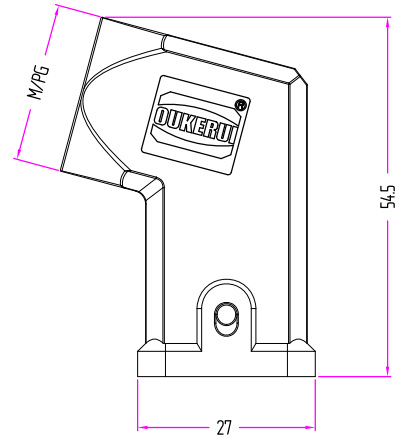
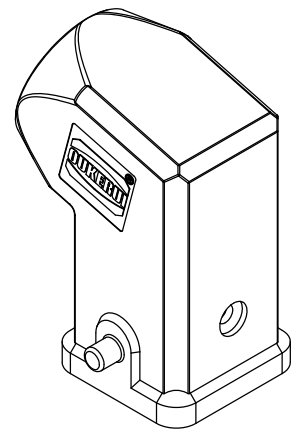



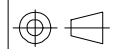
6		7	8	
REVISION		DATA		
SYM	ECN	DESCRIPTION	DATE	APPROVED



技术参数:
 材料: PC
 颜色: RAL7032灰白色
 温度范围: -40℃~+125℃
 防护等级: IP65(联锁状态)
 出线方向: 侧出线
 螺纹规格: M20/PG11

Specifications:
 Material: PC
 Color: (RAL 7032) Light Grey
 Limiting temperatures: -40℃~+125℃
 Degree of protection: IP65
 Cable entry: side entry
 Thread size: M20/PG11



Tolerance		SIGNATURE	DATE	Units	mm	 宁波欧科瑞连接器有限公司 NINGBO OUKERUI CONNECTOR CO., LTD.	
0~≤20 ±0.15	DRAW			Size	A4		
20~≤50 ±0.25	DESIGN			Scale		PART NAME: HZW-H3A. P-SK-2g	
50~≤80 ±0.35	CHECK			Sheet		Drawing NO.	REV
80~≤120 ±0.50	APPROVE			Proj.		Material	A