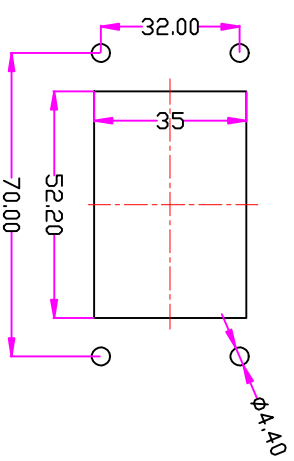
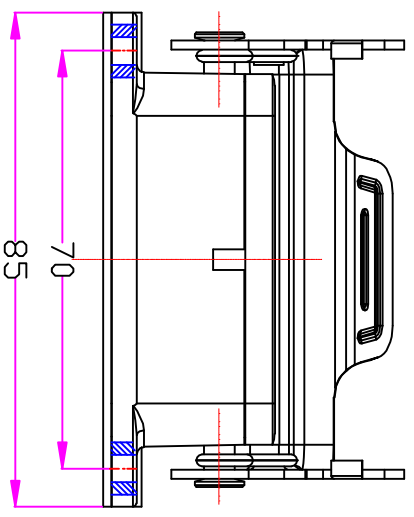
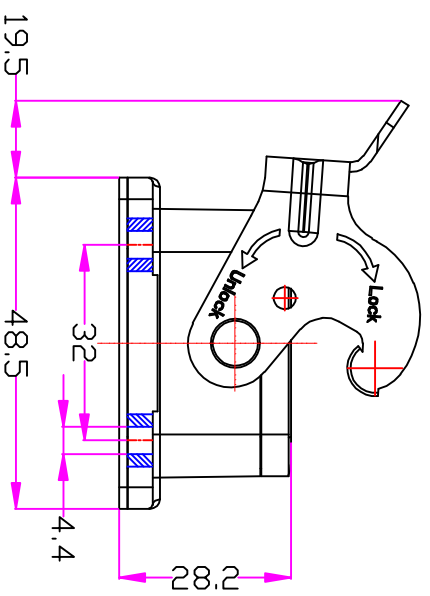


REVISION DATA				
SYM	ECN	DESCRIPTION	DATE	APPROVED



## 面板开孔图

Panel cut

**技术参数:**  
 材料: 压铸铝  
 表面处理: 粉末喷涂  
 颜色: RAL7037灰色  
 温度范围:  $-40^{\circ}\text{C}\sim+125^{\circ}\text{C}$   
 防护等级: IP65 (联锁状态)  
**解锁元件**  
 锁扣方式: 单扣  
 材料: 不锈钢  
**密封元件: NBR**  
 出线方向: 底部出线

**Specifications:**  
 Materials: aluminum die-cast  
 Surface: powder-coated  
 Color: Grey (RAL 7037)  
 Limiting temperatures:  $-40^{\circ}\text{C}\sim+125^{\circ}\text{C}$   
 Degree of protection: IP65  
**Locking element:**  
 Locking type: single locking latch  
 material: stainless steel  
 Hoods/Housings sealing: NBR  
 Cable entry: bottom entry



Tolerance	SIGNATURE	DATE	Units	mm	PART NAME:	Drawing NO.	REV
0~≤20 ±0.15	DRAW		Size	A4	H2M-H6B-ST-1P/M		
20~≤50 ±0.25	DESIGN		Scale				
50~≤80 ±0.35	CHECK		Sheet				
80~≤120 ±0.50 APPROVE			Proj.				A

