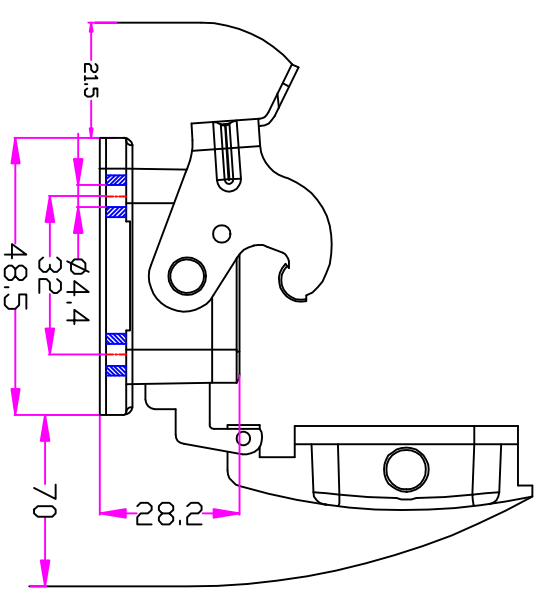
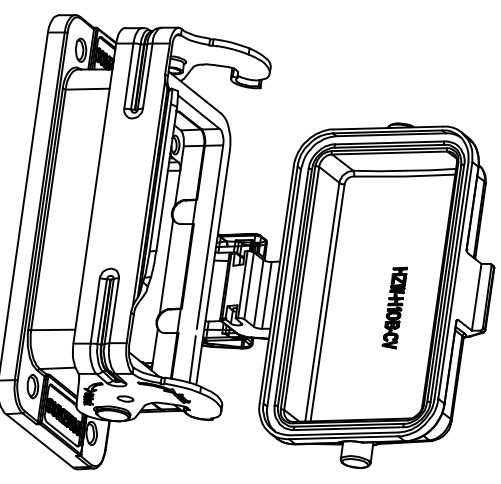
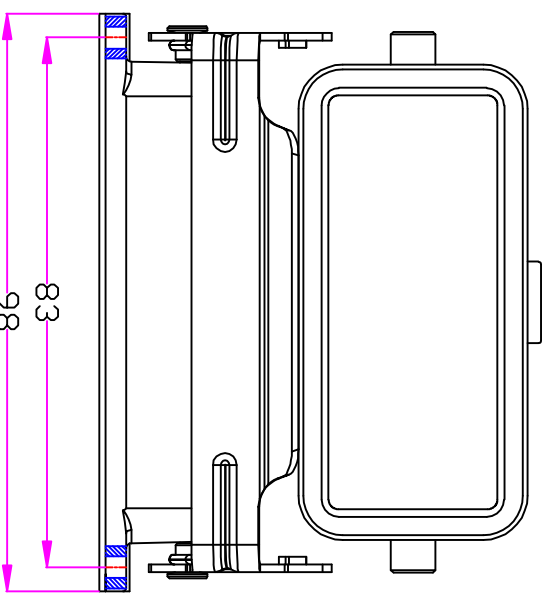
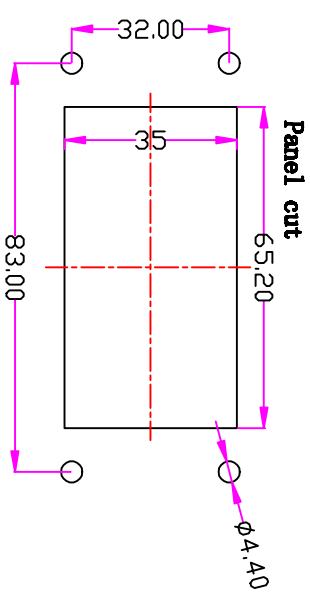


REVISION DATA				
SYM	ECN	DESCRIPTION	DATE	APPROVED




面板开孔图



技术参数:
 材料: 压铸铝
 表面处理: 粉末喷涂
 颜色: RAL7037灰色
 温度范围: -40℃~+125℃
 防护等级: IP65 (跌落状态)
 联接元件
 锁扣方式: 单扣
 材料: 不锈钢
 密封元件: NBR
 出线方向: 底部出线

Specifications:
 Material: aluminum die-cast
 Surface: powder-coated
 Color: Grey (RAL 7037)
 Limiting temperature: -40℃~+125℃
 Degree of protection: IP65
 Locking element:
 Locking type: single locking latch
 material: stainless steel
 Hoods/Housings sealing: NBR
 Cable entry: bottom entry

Tolerance	DRAW	SIGNATURE	DATE	Units	mm	 宁波欧科瑞连接器有限公司 NINGBO QIKERSI CONNECTOR CO., LTD.
0~≤20 ±0.15	DRAW			Size	A4	
20~≤50 ±0.25	DESIGN			Scale		PART NAME: HZW-H10B-ST-MCV-1PL
50~≤80 ±0.35	CHECK			Sheet		Drawing NO.
80~≤120 ±0.50 APPROVE				Proj.		Material
						REV
						A