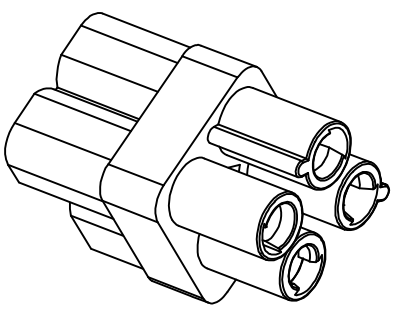
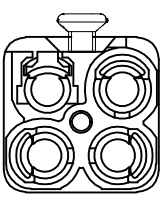
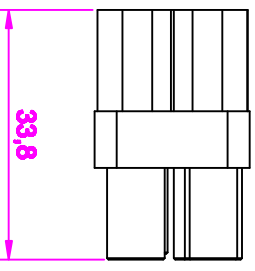
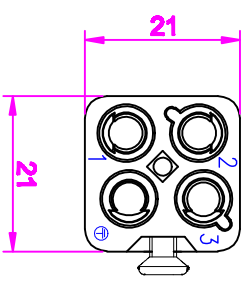


REVISION DATA				
SYM	EGRN	DESCRIPTION	DATE	APPROVED



**技术参数:**

插芯:  
 插针数: 3+PE  
 额定电流: 40A  
 工作电压: 400V  
 额定耐受脉冲电压: 6KV  
 污染等级: 3  
 材料: Polycarbonate

**Specifications:**

Inserts:  
 Number of contacts: 3+PE  
 Rated current: 40A  
 Rated voltage: 400V  
 Rated impulse voltage: 6KV  
 Pollution degree: 3  
 Material: Polycarbonate

**Contacts:**

Terminal: Crimp terminal  
 Material: Brass  
 Surface: hard-silver plated/Glrod plated  
 Contact resistance:  $\leq 1m\Omega$   
 Crimp terminal  
 Wire gauge--mm<sup>2</sup>: 1.5~10.0mm<sup>2</sup>  
 Wire gauge--AWG: 16-8

**插针:**

接线方式: 冷压连接  
 材料: 铜合金  
 表面处理: 镀银/镀金  
 接触电阻:  $\leq 1m\Omega$   
 线径范围: 1.5~10.0mm<sup>2</sup> (AWG16-8)

Tolerance	SIGNATURE	DATE	Units	mm	PART NAME: HZW-HQ-003-FC	
0~≤20 ±0.15	DRAW		Size	A4	NINGBO QUKERUI CONNECTOR CO., LTD.	
20~≤50 ±0.25	DESIGN		Scale		Drawing NO.	
50~≤80 ±0.35	CHECK		Sheet		Material	REV
80~≤120 ±0.50 APPROVE			Proj.			A



宁波欧科瑞连接器有限公司  
 NINGBO QUKERUI CONNECTOR CO., LTD.