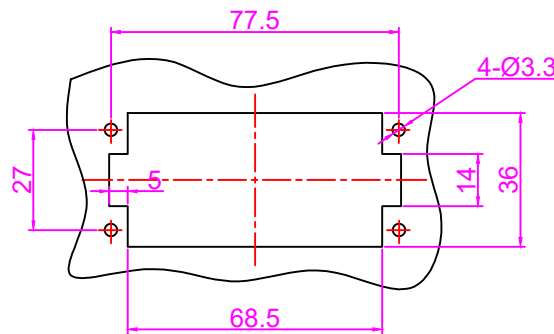
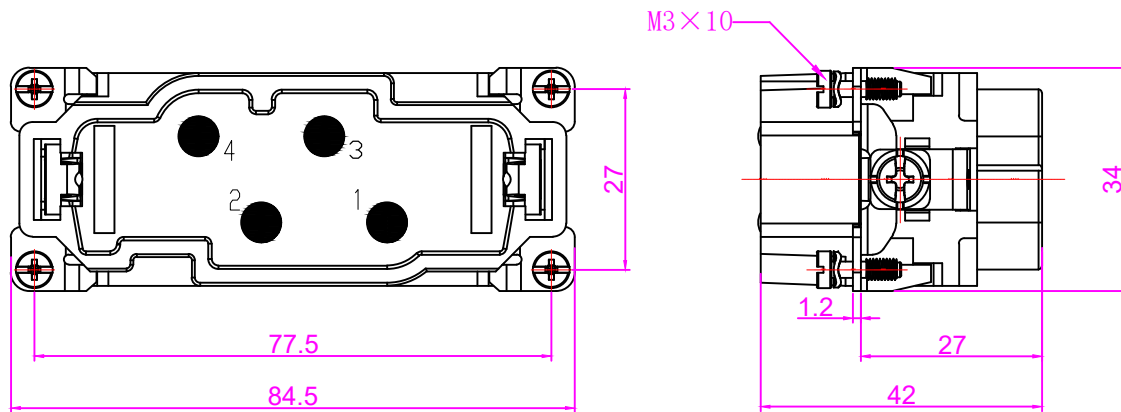
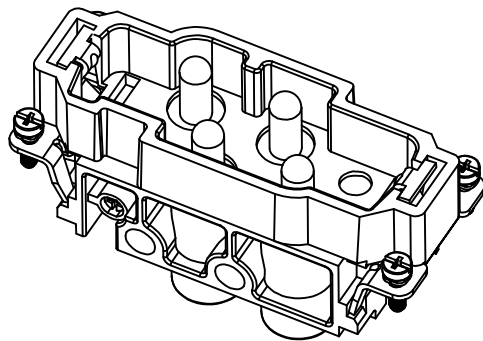


		REVISION DATA			
SYM	ECN	DESCRIPTION	DATE	APPROVED	



面板开孔图
Panel cut



技术参数:
 插芯:
 插针数: 4/0+PE
 额定电流: 80A
 工作电压: 690V
 额定脉冲电压: 8KV
 污染等级: 3
 依据UL/CSA的额定电压: 600V
 绝缘阻抗: $\geq 10^{10} \Omega$
 材料: 聚碳酸酯
 温度范围: $-40^{\circ}\text{C} \sim +125^{\circ}\text{C}$
 依据UL94的阻燃等级: V0
 可插拔次数: ≥ 500

插针:
 接线方式: 螺钉连接
 材料: 铜合金
 表面处理: 镀银
 接触电阻: $\leq 3\text{m}\Omega$
 线径范围: 1.5~16mm² (AWG16-6)
 拧紧力矩: mm² 1.5 2.5 4 6 10 16
 N • m 1.2 2.3 3 3 3

Specifications:
 Inserts:
 Number of contacts: 4/0+PE
 Rated current: 80A
 Rated voltage: 690V
 Rated impulse voltage: 8KV
 Pollution degree: 3
 Rated voltage acc. to UL/CSA: 600V
 Insulation resistance: $\geq 10^{10} \Omega$
 Material: Polycarbonate
 Limiting temperatures: $-40^{\circ}\text{C} \sim +125^{\circ}\text{C}$
 Flammability acc. to (UL94): V0
 Mechanical working life -mating cycles: ≥ 500

Contacts:
 Terminal: screw terminal
 Material: Brass
 Surfac: hard-silver plated
 Contact resistance: $\leq 3\text{m}\Omega$
 Crimp terminal
 Wire gauge--mm²: 1.5~16mm²
 Wire gauge--AWG: 16-6
 Tightening/Test torque: mm² 1.5 2.5 4 6 10 16
 N • m 1.2 2.3 3 3 3

Tolerance		SIGNATURE	DATE	Units	mm
0~ ≤ 20	± 0.15	DRAW		Size	A4
20~ ≤ 50	± 0.25	DESIGN		Scale	
50~ ≤ 80	± 0.35	CHECK		Sheet	
80~ ≤ 120	± 0.50	APPROVE		Proj.	

 宁波欧科瑞连接器有限公司
NINGBO OUKERUI CONNECTOR CO.,LTD.

PART NAME: HZW-HK-4/0-M			
Drawing NO.		REV	
Material			A