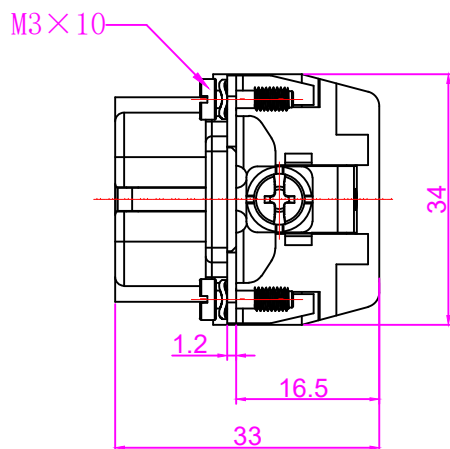
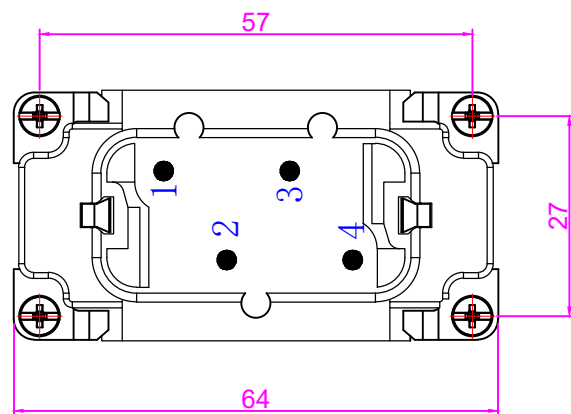


REVISION DATA				
SYM	ECN	DESCRIPTION	DATE	APPROVED

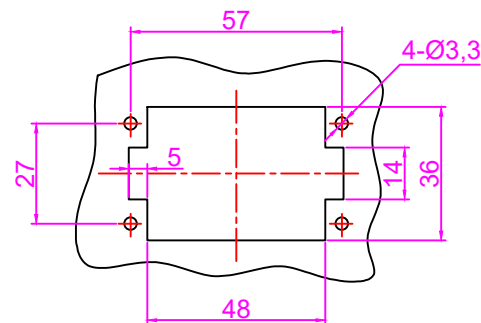


**技术参数:**  
 插芯:  
 插针数: 6+PE  
 额定电流: 35A  
 工作电压: 400/690V  
 额定脉冲电压: 6KV  
 污染等级: 3  
 依据UL/CSA的额定电压: 600V  
 绝缘阻抗:  $\geq 10^{10} \Omega$   
 材料: 聚碳酸酯  
 温度范围:  $-40^{\circ}\text{C} \sim +125^{\circ}\text{C}$   
 依据UL94的阻燃等级: V0  
 可插拔次数:  $\geq 500$


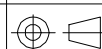
**插针:**  
 接线方式: 螺钉连接  
 材料: 铜合金  
 表面处理: 镀银  
 接触电阻:  $\leq 1\text{m}\Omega$   
 线径范围: 4.0~6.0mm<sup>2</sup> (AWG12-10)  
 拧紧力矩: 1.2N·m

**Specifications:**  
 Inserts:  
 Number of contacts: 6+PE  
 Rated current: 35A  
 Rated voltage: 400/690V  
 Rated impulse voltage: 6KV  
 Pollution degree: 3  
 Rated voltage acc. to UL/CSA: 600V  
 Insulation resistance:  $\geq 10^{10} \Omega$   
 Material: Polycarbonate  
 Limiting temperatures:  $-40^{\circ}\text{C} \sim +125^{\circ}\text{C}$   
 Flammability acc. to (UL94): V0  
 Mechanical working life -mating cycles:  $\geq 500$

**Contacts:**  
 Terminal: screw terminal  
 Material: Brass  
 Surfac: hard-silver plated  
 Contact resistance:  $\leq 1\text{m}\Omega$   
 Crimp terminal  
 Wire gauge—mm<sup>2</sup>: 4.0~6.0mm<sup>2</sup>  
 Wire gauge—AWG: 12-10  
 Tightening/Test torque: 1.2N·m



面板开孔图  
 Panel cut

Tolerance		SIGNATURE	DATE	Units	mm	 宁波欧科瑞连接器有限公司 NINGBO OUKERUI CONNECTOR CO.,LTD.	
0~≤20 ±0.15	DRAW			Size	A4		
20~≤50 ±0.25	DESIGN			Scale		PART NAME: HZW-HSB-004-F	
50~≤80 ±0.35	CHECK			Sheet		Drawing NO.	REV
80~≤120 ±0.50	APPROVE			Proj.		Material	A